



HamiTherm

Product Presentation



HamiTherm BV -Jade 216 - 3316 LJ Dordrecht - The Netherlands
Tel. +31 (0)78 654 9976 - Fax +31 (0)78 651 4601 - info@hamitherm.nl - www.hamitherm.nl





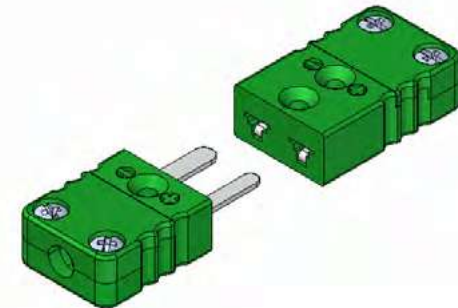
Overview

- Mini Connectors
- Mini PCB Jacks
- Mini Accessories
- Standard Connectors
- Standard Accessories
- Panel Inserts Mini
- Panel Inserts Standard
- Panels
- Panel Accessories
- M8-M12 connectors
- Terminals
- Tooling



Mini Connector

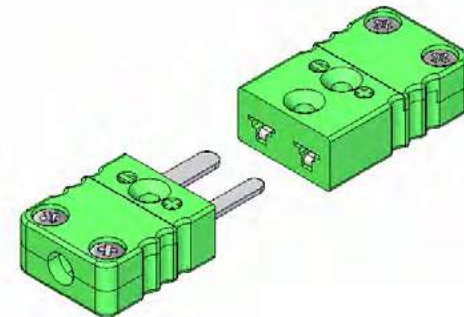
- Glass filled high quality thermoplastic body
- Stainless steel screws with combination head (slotted & Phillips)
- Plate under terminal screw for easy wiring
- Captive cover screw
- Temperature rating 200 °C / 400 °F
- Available in all color code standards
- Max. cable diameter 4,5 mm





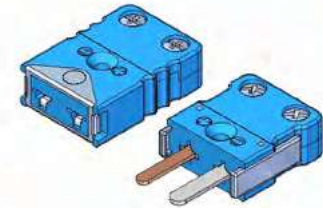
Mini Connector Economy

- Designed for low cost applications
- Steel zinc plated screws
- Glass filled Nylon body
- Temperature rating 200 °C / 400 °F
- Available in all color code standards
- Max. cable diameter 4,5 mm

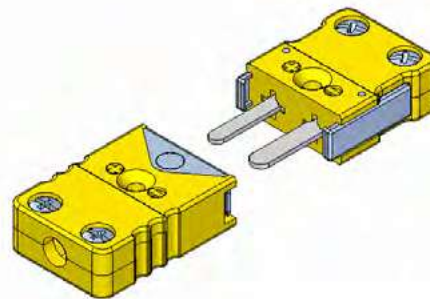




Mini Connector Locking



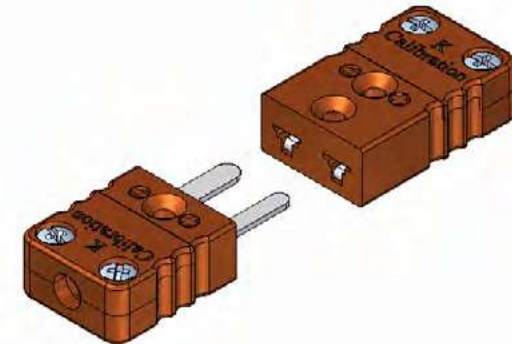
- Patented design
- Prevents unwanted loss of signal
- Compatible with miniature thermocouple connectors
- Compatible with existing HT miniature accessories
- Available in all calibrations, colorcodes or custom colors
- Suited for hand-held indicators, scanners, dataloggers, testbeds etc., etc.





Mini Connector High Temp

- Body of thermoset material
- Stainless steel screws with combination head (slotted & Phillips)
- Plate under terminal screw for easy wiring
- Temperature rating 350 °C / 650 °F
- Calibration printed on cover
- Max. cable diameter 4,5 mm

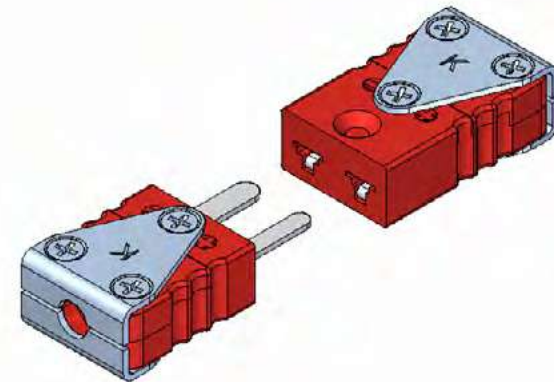




Mini Connector

Ultra High Temp

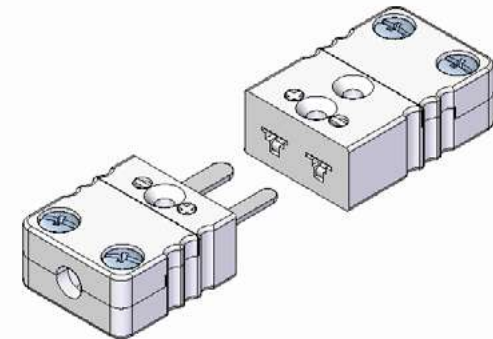
- Body of thermoset compound
- Stainless steel bracket to increase strength
- Stainless steel screws with Phillips head
- Plate under terminal screw for easy wiring
- Temperature rating 425-540 °C /
800-1000 °F
- Calibration stamped on bracket
- Max. cable diameter 4,5 mm





Mini Connector Ceramic

- Body of ceramic material
- Stainless steel screws with combination head (slotted & Phillips)
- Plate under terminal screw for easy wiring
- Temperature rating 650 °C / 1200 °F
- Calibration indicated by color dot
- Max. cable diameter 4,5 mm

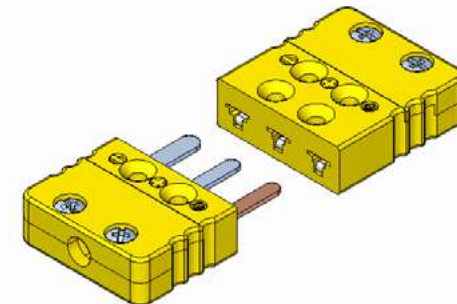




Mini Connector

3-pin

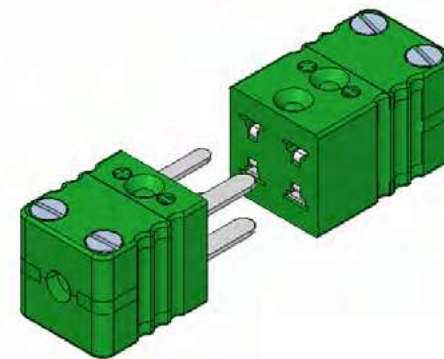
- Glass filled high quality thermoplastic body
- 3rd pin used for ground/shield connection or 3-wire RTD
- Stainless steel screws with combination head (slotted & Phillips)
- Plate under terminal screw for easy wiring
- Captive cover screw
- Temperature rating 200 °C / 400 °F
- Available in all color code standards
- Max. cable diameter 4,5 mm





Mini Connector Duplex

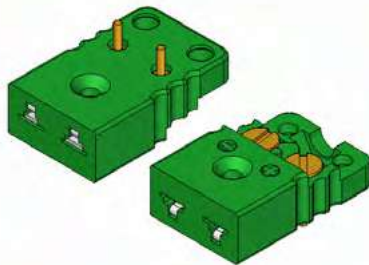
- Glass filled high quality thermoplastic body
- Can be used for duplex TC's or 4-wire RTD
- Plate under terminal screw for easy wiring
- Temperature rating 200 °C / 400 °F
- Calibration printed on cover, type K in yellow or green
- Max. cable diameter 4,5 mm



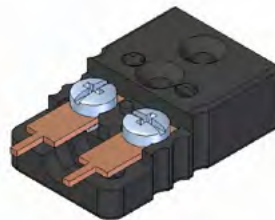


Mini PCB Jack

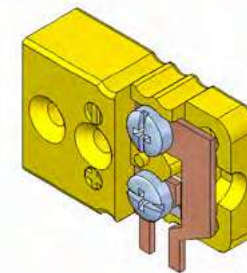
- Glass filled high quality thermoplastic body
- Temperature rating 200 °C / 400 °F
- Available in all color code standards
- Flat, Rear or Side mounting available



Flat



Rear



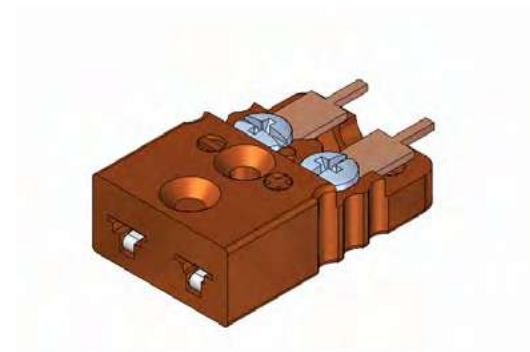
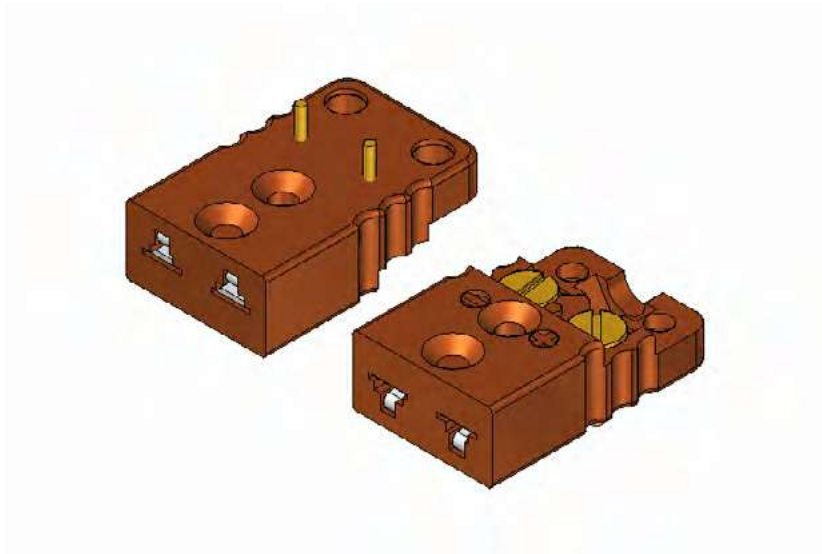
Side



Mini PCB Jack

High Temp

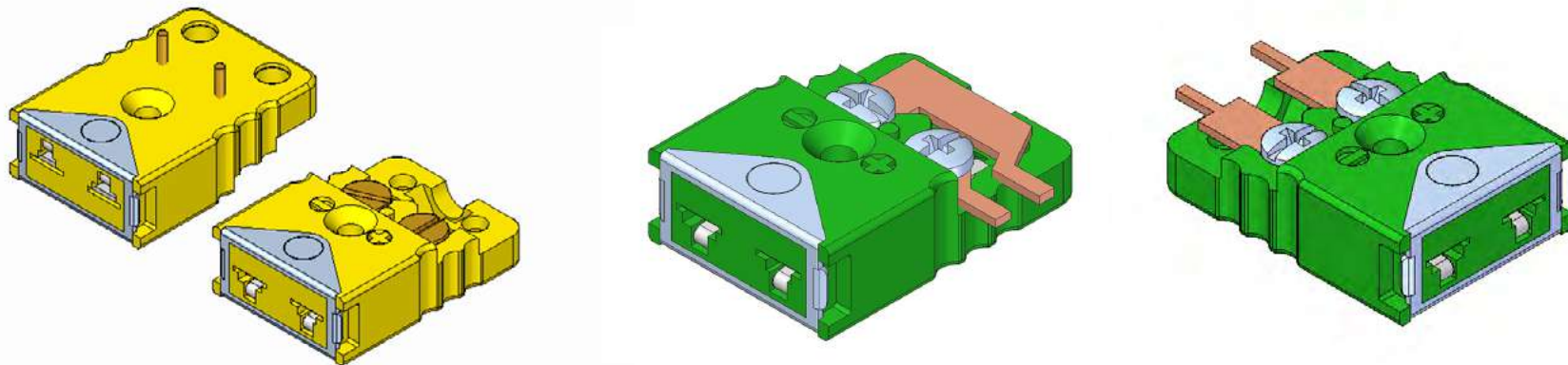
- Body of thermoset material
- Temperature rating 350 °C / 650 °F
- Flat and Rear mounting available





Mini PCB Jack Locking

- Glass filled high quality thermoplastic body
- Temperature rating 200 °C / 400 °F
- Available in all color code standards
- Flat and Rear mounting available

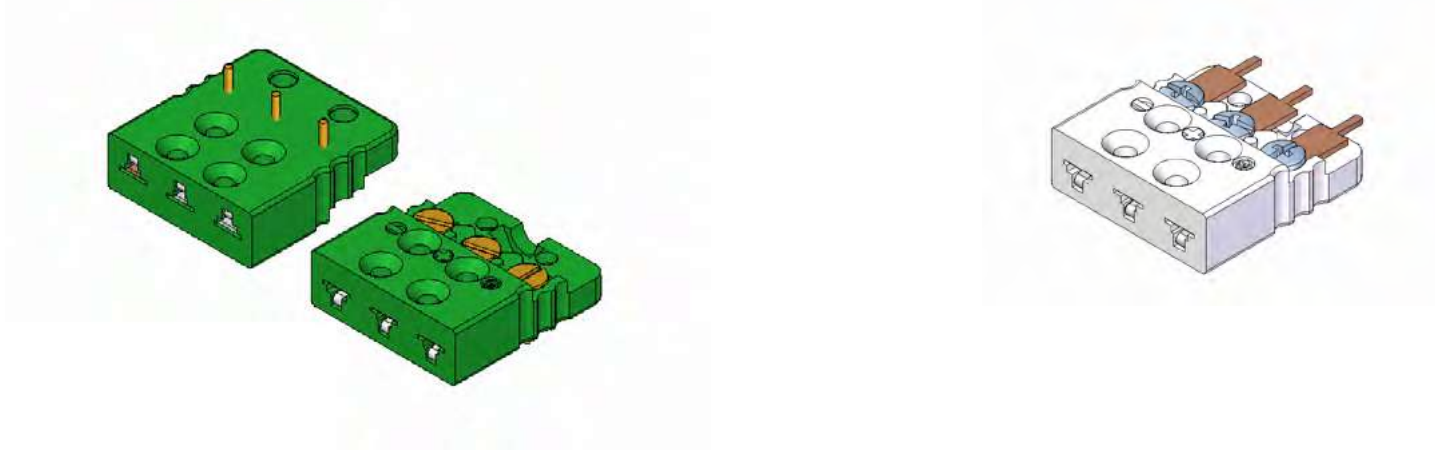




Mini PCB

3-pin

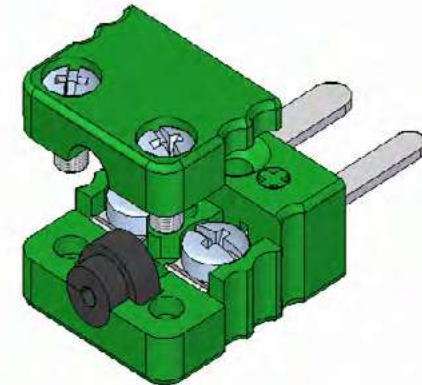
- Glass filled high quality thermoplastic body
- 3rd pin used for ground/shield connection or 3-wire RTD
- Temperature rating 200 °C / 400 °F
- Available in all color code standards
- Flat and Rear mounting available





Mini Accessories Grommets

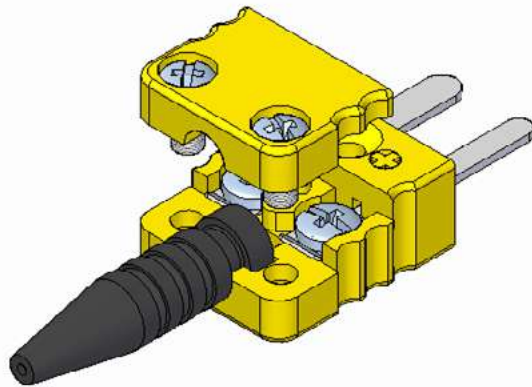
- Protects wire entrance against dirt and moisture
- Limited strain relief
- Silicon rubber
- Temperature rating 200 °C / 400 °F
- Available in diameter 0,5 – 1,5 and 3,0 mm





Mini Accessories

Bending protection



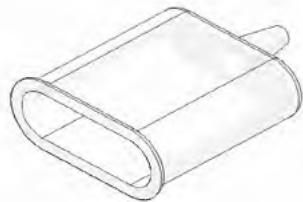
- Prevents mechanical damage to thermocouple wire
- Silicon rubber
- Tapered entrance hole
- Temperature rating 200 °C / 400 °F



Mini Accessories

Protection boot

- Protects connection against dirt and moisture
- Silicon rubber
- Temperature rating 200 °C / 400 °F transparent
- Temperature rating 200 °C / 570 °F black
- Available for 2 pin & 3 pin connectors

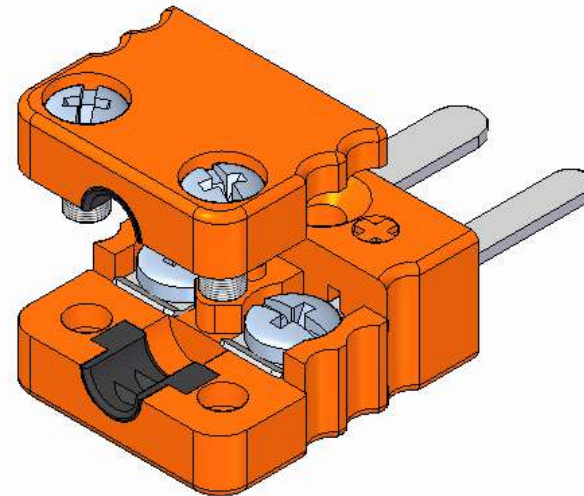




Mini Accessories

Wire insert

- Provides a strain relief for wire
- Round wire 1,5 and 3,5 mm
- Oval wire 2 x 1,5 mm

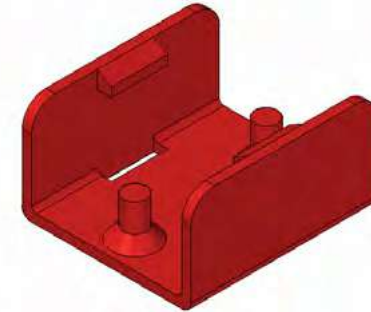
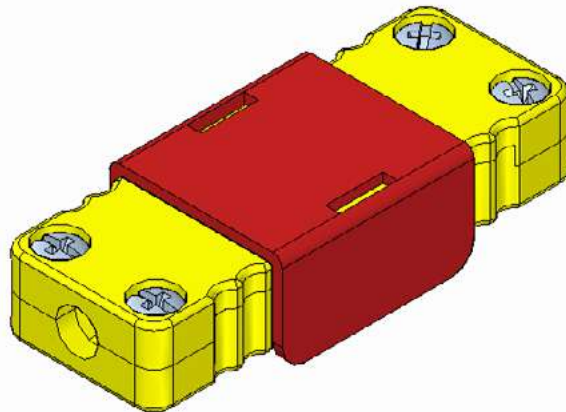




Mini Accessories

Locking clip

- Prevents accidental disconnection
- Glass filled high quality thermoplastic clip
- Temperature rating 200 °C / 400 °F

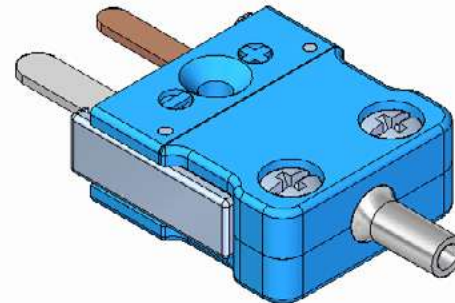
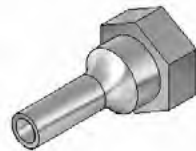




Mini Accessories

Crimp insert

- Can be crimped on MI cable or flexible wire
- Brass nickel plated
- Treated for large crimp capability

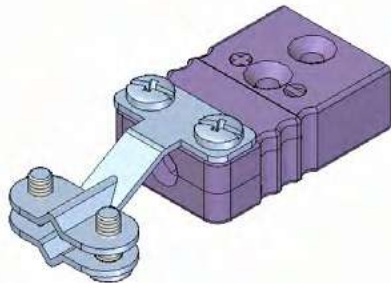
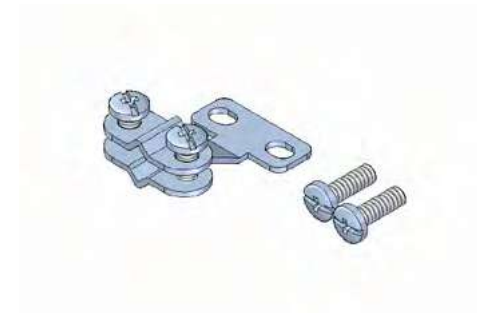




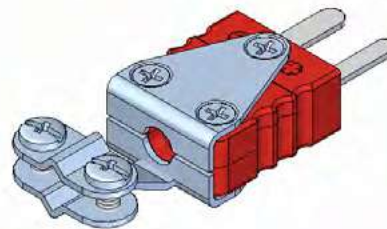
Mini Accessories

Wire clamp bracket

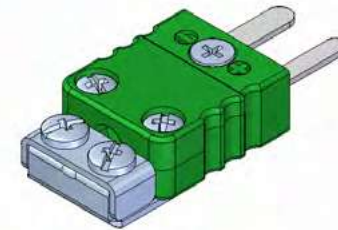
- Provides optimum strain relief
- All stainless steel
- Available for all mini connectors
- Compact version for small wire diameters



Mini wire clamp



Ultra High Temp
wire clamp

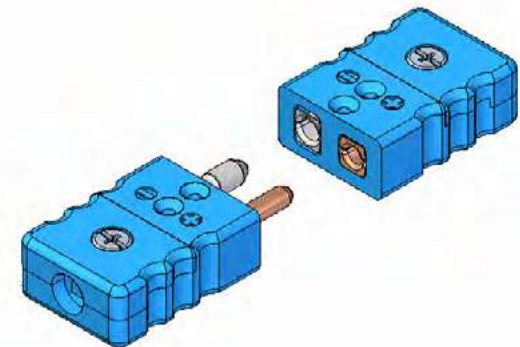


Compact wire clamp



Standard Connector

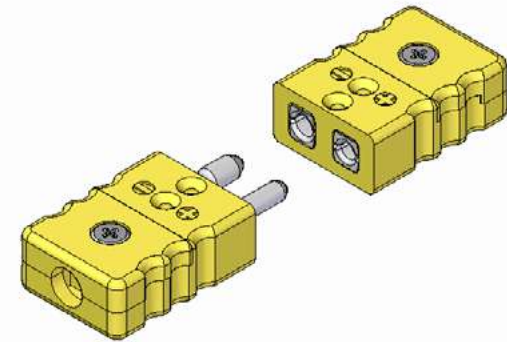
- Glass filled high quality thermoplastic body
- Solid and Hollow pin plugs
- Stainless steel screws with combination head (slotted & Phillips)
- Plate under terminal screw for easy wiring
- Single captive cover screw
- Temperature rating 200 °C / 400 °F
- Available in all color code standards
- Max. cable diameter 8 mm





Standard Connector Economy

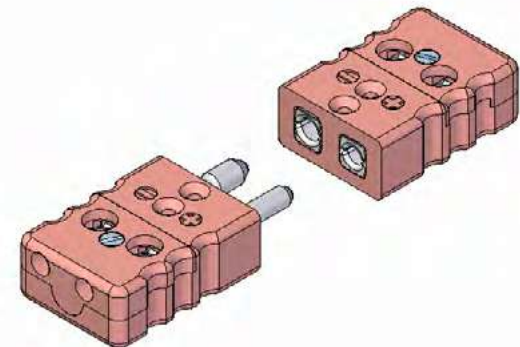
- Targetted at low cost applications
- Hollow pin plug
- Steel zinc plated screws
- Glass filled Nylon body
- Temperature rating 200 °C / 400 °F
- Available in all color code standards
- Max. cable diameter 8 mm





Standard Connector Jab-in

- Quick wire connection without cover removal
- Glass filled high quality thermoplastic body
- Solid and Hollow pin plugs
- Stainless steel terminal screws with combination head (slotted & Phillips)
- Temperature rating 200 °C / 400 °F
- Available in all color code standards

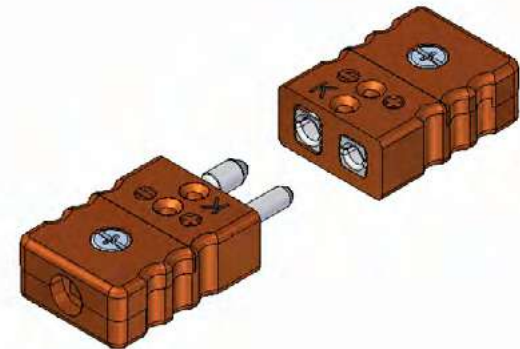




Standard Connector

High Temp

- Body of thermoset material
- Solid and Hollow pin plugs
- Stainless steel screws with combination head (slotted & Phillips)
- Plate under terminal screw for easy wiring
- Single captive cover screw
- Temperature rating 350 °C / 650 °F
- Calibration printed on body
- Max. cable diameter 8 mm

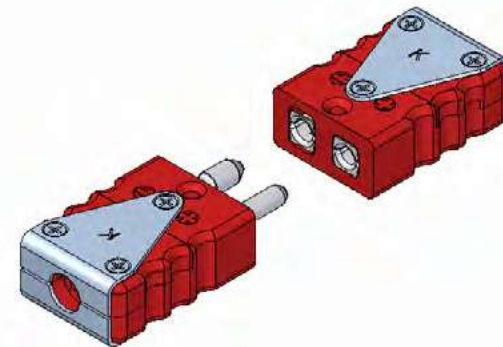




Standard Connector

Ultra High Temp

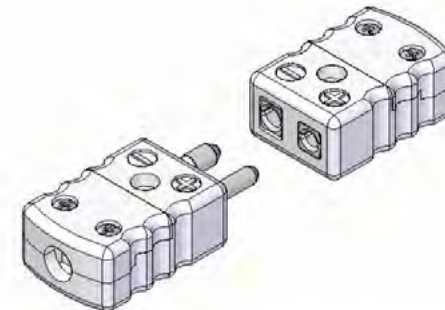
- Body of thermoset compound
- Solid and Hollow pin plugs
- Stainless steel bracket to increase strength
- Stainless steel screws with Phillips head
- Plate under terminal screw for easy wiring
- Temperature rating 425-540 °C /
800-1000 °F
- Calibration stamped on bracket
- Max. cable diameter 8 mm





Standard Connector Ceramic

- Body of ceramic material
- Solid and Hollow pin plugs
- Stainless steel screws with combination head (slotted & Phillips)
- Plate under terminal screw for easy wiring
- Temperature rating 650 °C / 1200 °F
- Calibration indicated by color dot
- Max. cable diameter 8 mm

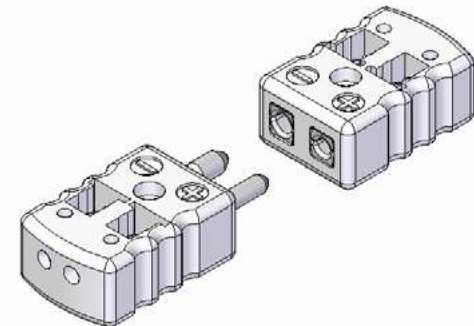




Standard Connector

Ceramic Jab-in

- Quick wire connection without cover removal
- Solid body of ceramic material
- Solid and Hollow pin plugs
- Stainless steel screws with combination head (slotted & Phillips)
- Calibration indicated by color dot
- Temperature rating 650 °C / 1200 °F

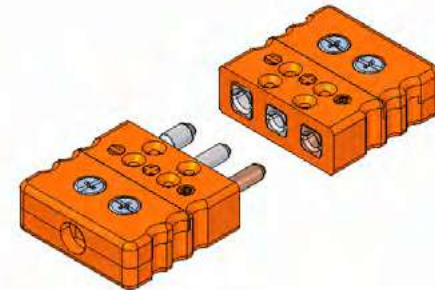




Standard Connector

3-pin

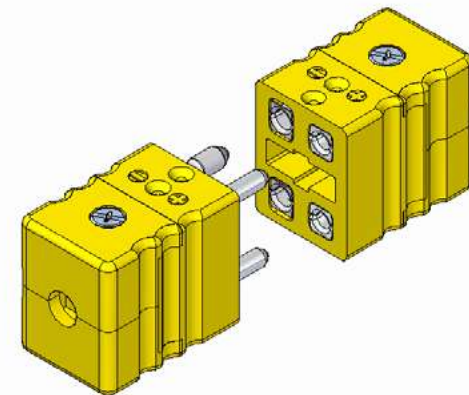
- Glass filled high quality thermoplastic body
- 3rd pin used for ground/shield connection or 3-wire RTD
- Solid and Hollow pin plugs
- Stainless steel screws with combination head (slotted & Phillips)
- Plate under terminal screw for easy wiring
- Captive cover screw
- Temperature rating 200 °C / 400 °F
- Available in all color code standards
- Max. cable diameter 8 mm





Standard Connector Duplex

- Glass filled high quality thermoplastic body
- Can be used for duplex TC's or 4-wire RTD
- Solid and Hollow pin plugs
- Stainless steel screws with combination head (slotted & Phillips)
- Plate under terminal screw for easy wiring
- Captive cover screw
- Temperature rating 200 °C / 400 °F
- Available in all color code standards
- Max. cable diameter 8 mm

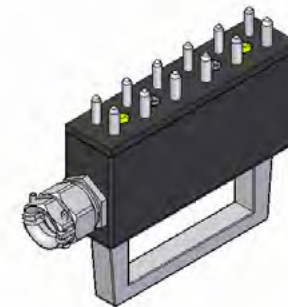




Standard Connector

Multiple plug

- Multiple plug up to 6 circuits
- Rugged steel epoxy coated housing
- Anodized aluminium handle
- PG13 entrance fitting with excellent strain relief
- Cable diameter up to 15 mm
- Corresponds with HT vertical panels or multiple jack
- Temperature rating 200 °C / 400 °F

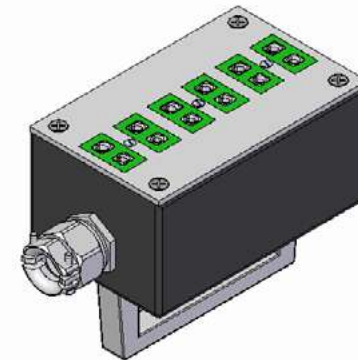




Standard Connector

Multiple jack

- Multiple jack up to 6 circuits
- Rugged steel epoxy coated housing
- Anodized aluminum handle
- PG13 entrance fitting with excellent strain relief
- Cable diameter up to 15 mm
- Corresponds with HT multiple plug
- Can also be used for wall mounting
- Temperature rating 200 °C / 400 °F

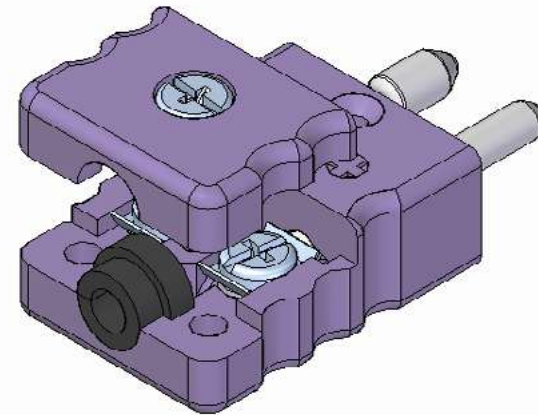




Standard Accessories

Grommets

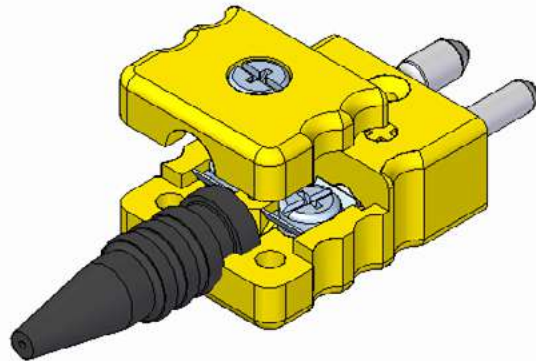
- Protects wire entrance against dirt and moisture
- Limited strain relief
- Silicon rubber
- Temperature rating 200 °C / 400 °F
- Available in diameter 1,5 – 2,5 and 4,5 mm





Standard Accessories

Bending protection



- Prevents mechanical damage to thermocouple wire
- Silicon rubber
- Tapered entrance hole
- Temperature rating 200 °C / 400 °F

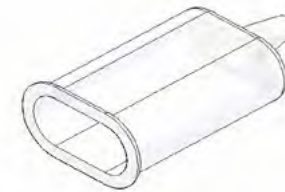
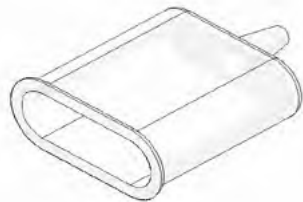




Standard Accessories

Protection boot

- Protects connection against dirt and moisture
- Silicon rubber
- Temperature rating 200 °C / 400 °F
transparent
- Available for 2 pin & 3 pin connectors

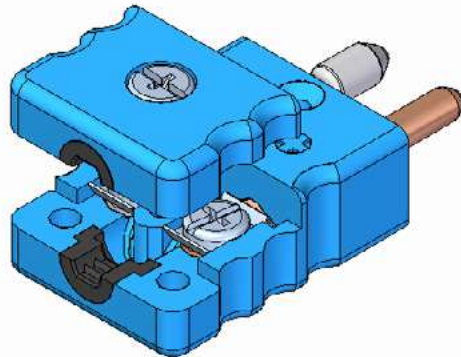




Standard Accessories

Wire insert

- Provides a strain relief for wire
- Round wire 3,5 mm
- Oval wire 2 x 1,5 mm

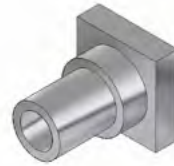




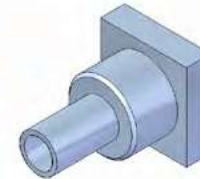
Standard Accessories

Crimp insert/adapter

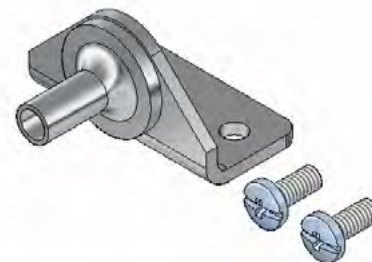
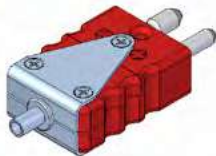
- Brass nickel plated



- Stainless steel crimp/braze adapter



- L-Bracket crimp-adapter

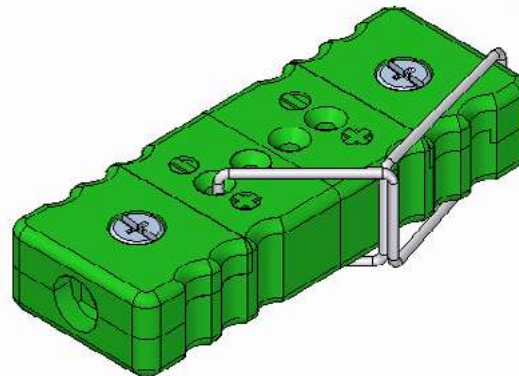




Standard Accessories

Locking clip

- Prevents accidental disconnection
- Stainless steel clip
- Easy to fix on connector

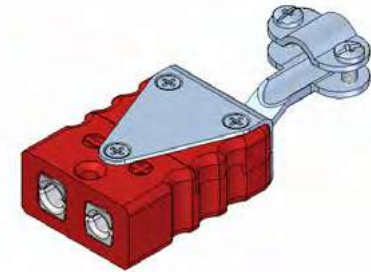




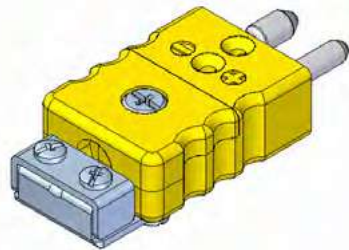
Standard Accessories

Wire clamp bracket

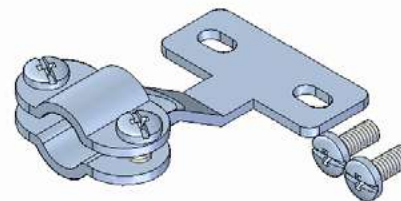
- Provides optimum strain relief
- All stainless steel
- Available for all standard connectors
- Compact version for small wire diameters



Ultra High Temp
wire clamp



Compact wire clamp



Standard wire clamp

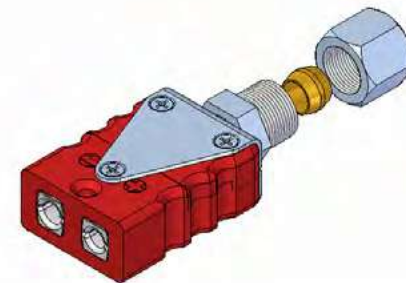
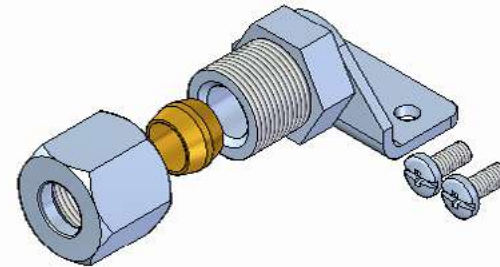


Standard Accessories

Tube adapter

- Stainless steel
- 7 sizes
- from 1/16"-1,7 mm
- upto 3/8"-9,5 mm

- standard connector
- ultra high temp connector
- ceramic connector





Standard Accessories

U-Bracket

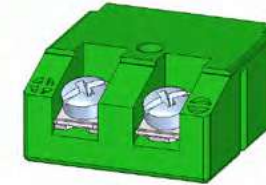
- Connector type:
 - Standard
 - Ceramic
 - Three Pin
- Mounting option:
 - Crimp/Braze tube
 - Tube adapter
 - Wire Clamp



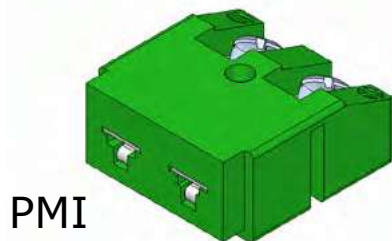
Stainless Steel



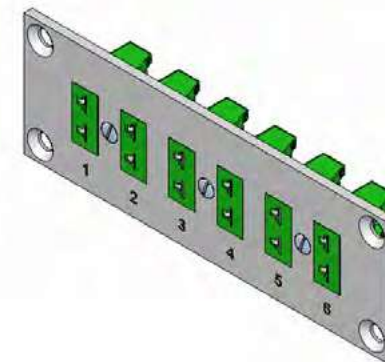
Panel Insert Mini



- Angled terminal screws for easy access
- Stainless steel screws with combination head (slotted & Phillips)
- Can be used with Hamitherm panel set
- Flat panel surface with 2,5 mm panels
- Can be mounted in custom panel with HT mounting kit
- Temperature rating 200 °C / 400 °F



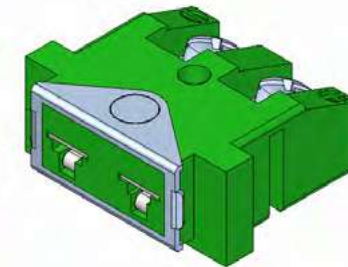
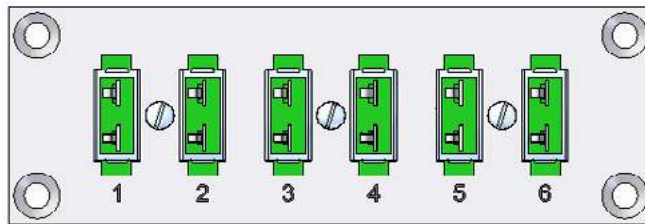
PMI





Panel Insert Mini Locking

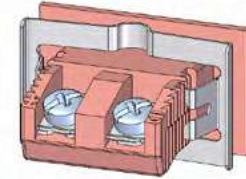
- Prevents accidental disconnection when used with locking plug
- Angled terminal screws for easy access
- Stainless steel screws with combination head (slotted & Phillips)
- Can be used with Hamitherm panel set
- Flat panel surface with 2,5 mm panels
- Temperature rating 200 °C / 400 °F



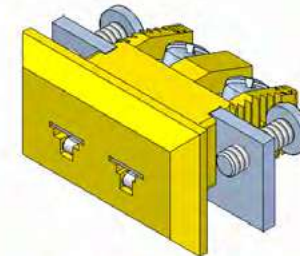
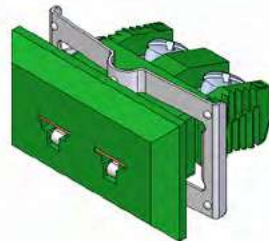
PMLI



Panel Insert Mini Flanged



- Angled terminal screws for easy access
- Stainless steel screws with combination head (slotted & Phillips)
- Can be used with custom panels
- Mounting behind the panel with stainless steel bracket or spring clip
- Temperature rating 200 °C / 400 °F

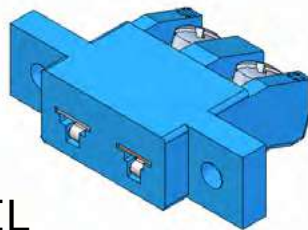
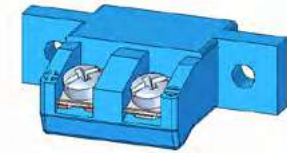


PMIFB

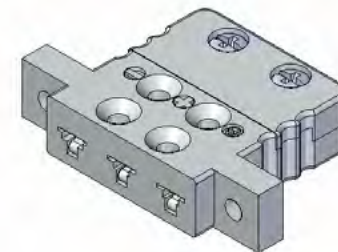


Panel Insert Mini Lugged

- Angled terminal screws for easy access
- Stainless steel screws with combination head (slotted & Phillips)
- Can be used with custom panels
- Mounting by means of 2 screws
- 3 Pin version has a cover mounted
- Temperature rating 200 °C / 400 °F



PMIL



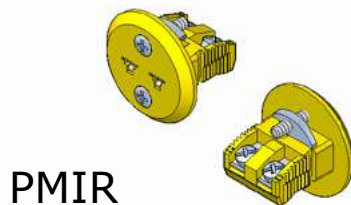
PMITL



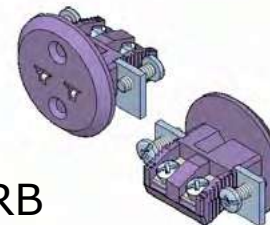
Panel Insert Mini Round



- Angled terminal screws for easy access
- Stainless steel screws with combination head (slotted & Phillips)
- Can be used with custom panels
- Mounting by means of 2 screws at the front, or with stainless steel bracket behind the panel
- Temperature rating 200 °C / 400 °F
- Panel Punch available



PMIR



PMIRB



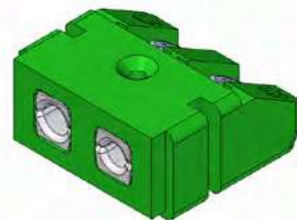
20.366



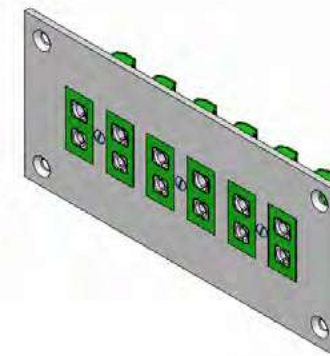
Panel Insert Standard



- Angled terminal screws for easy access
- Stainless steel screws with combination head (slotted & Phillips)
- Can be used with Hamitherm panel set
- Flat panel surface with 2,5 mm panels
- Can be mounted in custom panel with HT mounting kit
- Temperature rating 200 °C / 400 °F



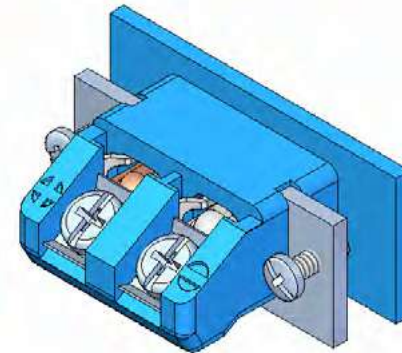
PSI





Panel Insert Standard Flanged

- Angled terminal screws for easy access
- Stainless steel screws with combination head (slotted & Phillips)
- Can be used with custom panels
- Mounting behind the panel with stainless steel bracket
- Temperature rating 200 °C / 400 °F

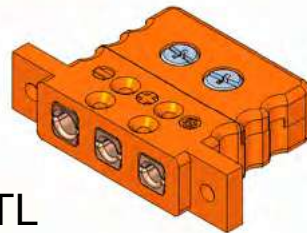
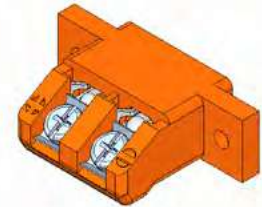


PSIFB

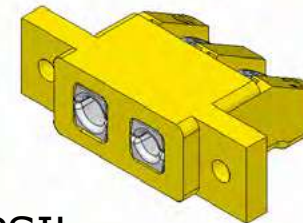


Panel Insert Standard Lugged

- Angled terminal screws for easy access
- Stainless steel screws with combination head (slotted & Phillips)
- Can be used with custom panels
- Mounting by means of 2 screws
- 3 Pin version has a cover mounted
- Temperature rating 200 °C / 400 °F



PSITL



PSIL

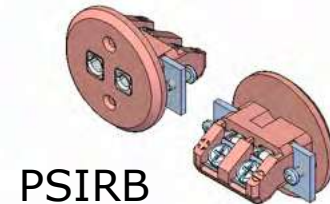


Panel Insert Standard Round

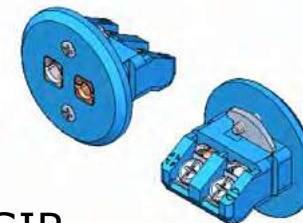
- Angled terminal screws for easy access
- Stainless steel screws with combination head (slotted & Phillips)
- Can be used with custom panels
- Mounting by means of 2 screws at the front, or with stainless steel bracket behind the panel
- Temperature rating 200 °C / 400 °F
- Panel Punch available



20.367



PSIRB

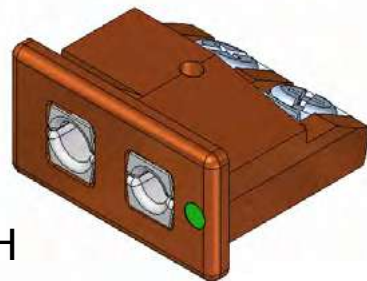


PSIR



Panel Insert Standard High Temp

- Angled terminal screws for easy access
- Stainless steel screws with combination head (slotted & Phillips)
- Can be used with Hamitherm panels
- Temperature rating 350 °C / 650 °F
- Available in 2-pin and 3-pin version



PSIH

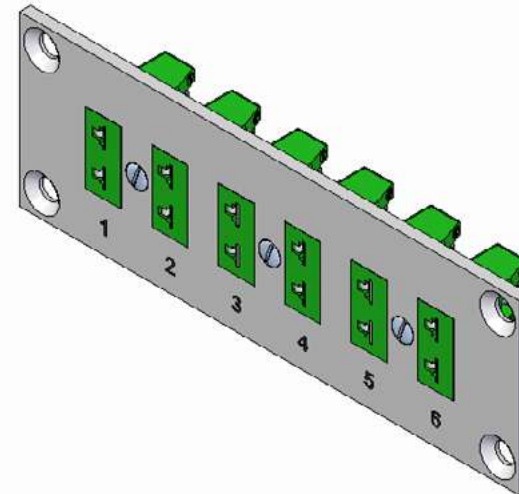
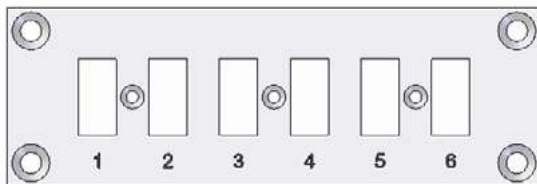


PSITH



Panel Mini

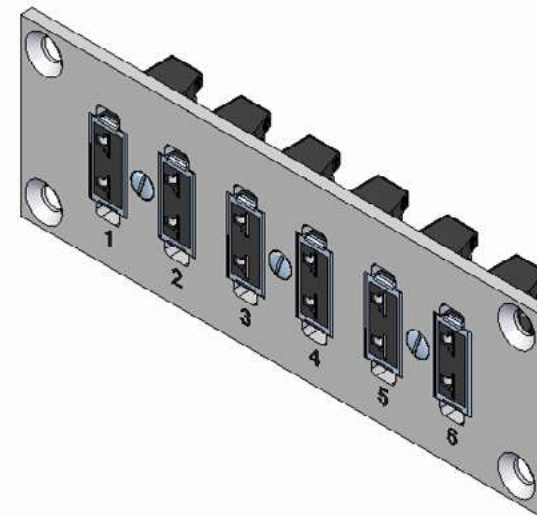
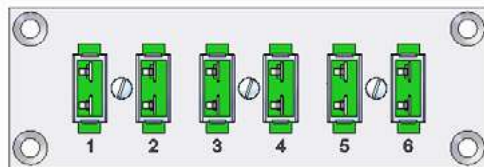
- Available as panel set or assembled panel
- Horizontal from 1 up to 24 circuits
- Temperature rating 200 °C / 400 °F
- Aluminum front panel
- Flat surface





Panel Mini Locking

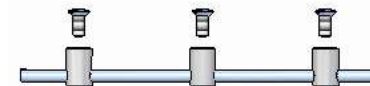
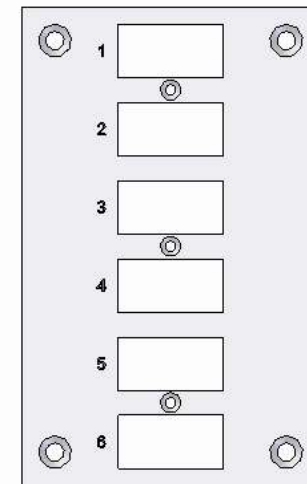
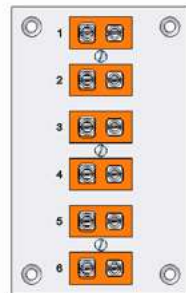
- Available as panel set or assembled panel
- Horizontal from 1 up to 24 circuits
- Temperature rating 200 °C / 400 °F
- Aluminum front panel
- Flat surface





Panel Standard

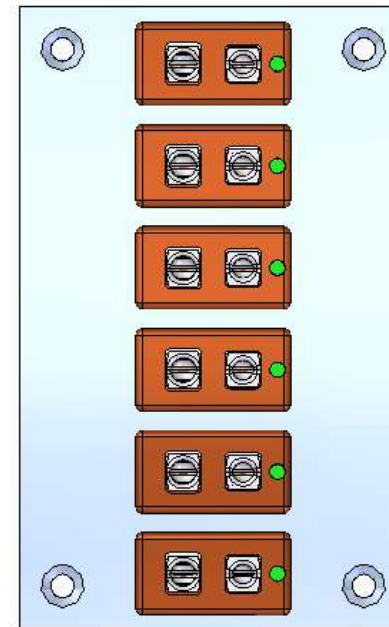
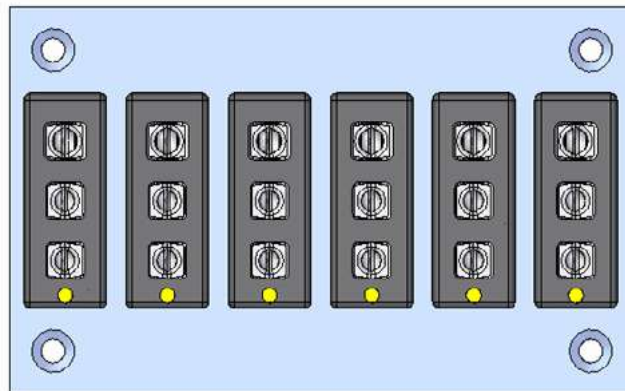
- Available as panel set or assembled panel
- Horizontal from 1 up to 24 circuits
- Vertical from 1 up to 6 circuits
- Temperature rating 200 °C / 400 °F
- Aluminum front panel
- Flat surface





Panel Standard High Temp

- 1 up to 6 circuits
- Temperature rating 350 °C / 650 °F
- Stainless Steel front panel
- Available in 2-pin and 3-pin

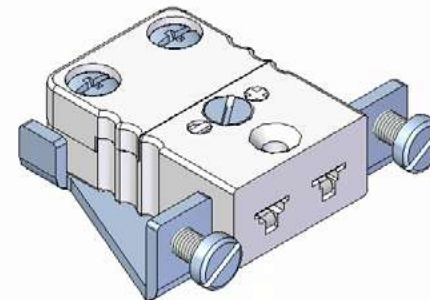
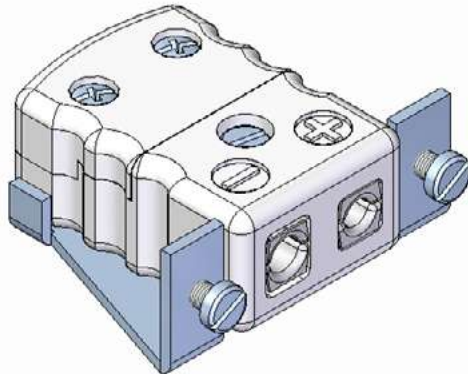
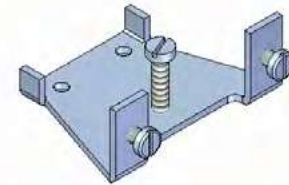




Panel Accessories

Panel Bracket

- Fits on high temp or ceramic connector
- Available for mini and standard
- Can be used to mount high temp or ceramic connectors in custom panels





M8-M12 Connector

- According to IEC 61076-2-101
- 4 pins, male, female and panel version
- IP-67
- M8 or M12 locking thread
- Gold plated brass pins
- Temperature rating -25 up to 90°C /
-30 up to 195 °F
- Soldering contacts

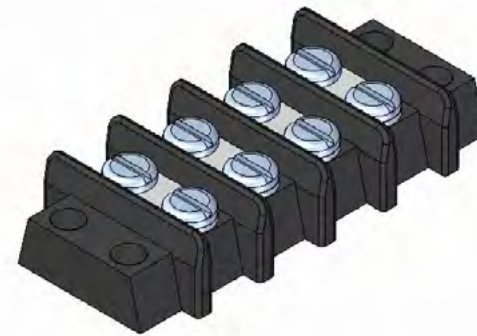




Terminals

Barrier Terminal Block

- From 1 up to 10 circuits
- Available in Type J, K, T, E, R/S, U and N
- Temperature rating 200 °C / 400 °F
- Terminals stamped with material identification
- Can be used with HT terminal lugs

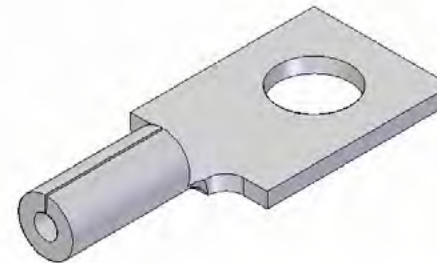
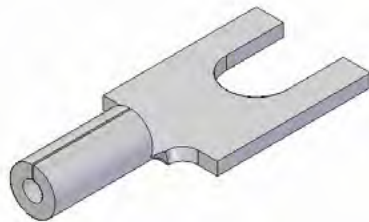




Terminals

Terminal Lugs

- Termination for T/C wire
- Available in spade- and ring-lug
- Type J, K, T, E, R/S, U
- Type N only as spade lug

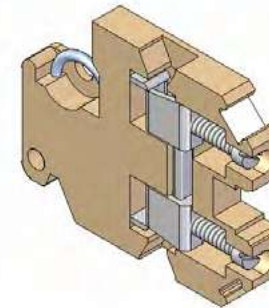




Terminals

Rail Terminal Block

- Terminal width only 5 mm
- Available in Type J, K, T, E, R/S and U
- Temperature rating 100 °C / 200 °F
- Mounting kit available:
 - Rail 200 mm long
 - End plate
 - 2 end stops
 - Identification 1 - 25

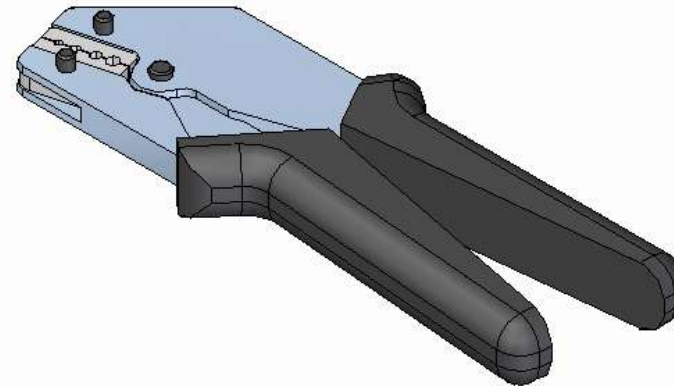




Tools

Crimptool

- Solid handtool
- Suitable for HT crimpinserts 2,4 - 3,2 - 4,3 - 4,5 and 5,8 mm OD





Tools

Panel Punch

- To make a round panel cut-out
- Punch splits slugs for easy removal
- 17,5 mm for PMIR
- 27 mm for PSIR

