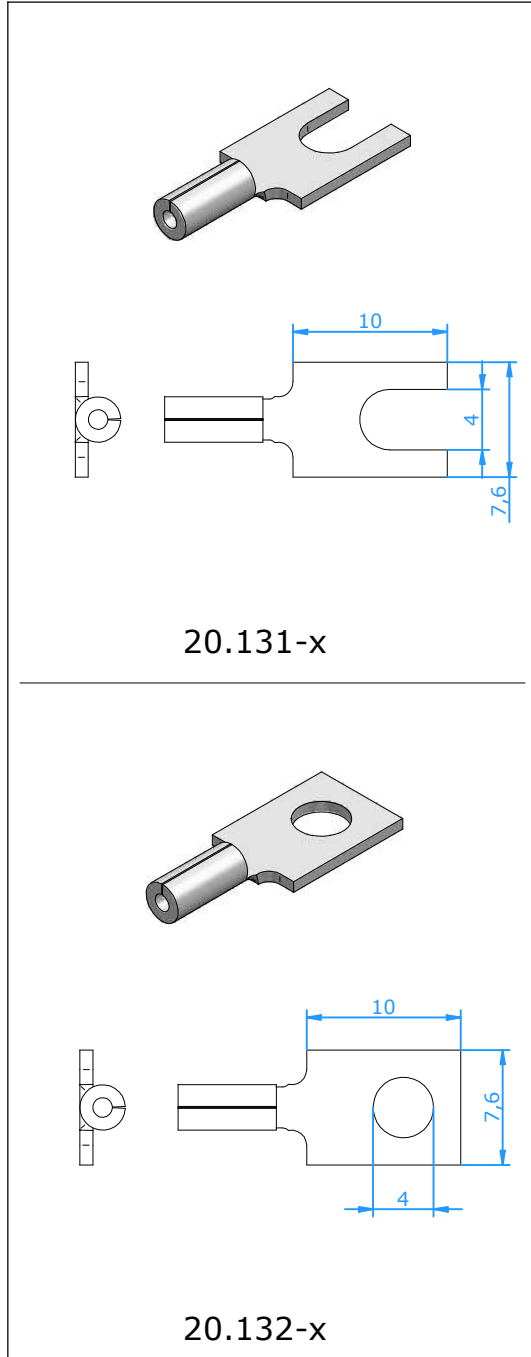




Terminals

Lugs



Application

To be used as wire termination on thermocouples or on wires fitted into terminal blocks.

Construction

- Solid thermocouple material
- Wire size up to 1,2 mm

Material	Code	Part No.
Chromel	KP/EP	20.131-1
Iron	JP	20.131-2
Copper	TP/RP	20.131-3
Nicrosil	NP	20.131-4
Alumel	KN	20.131-5
Constantan	EN/JN/TN	20.131-6
Alloy#11	RN	20.131-7
Nisil	NN	20.131-8

Material	Code	Part No.
Chromel	KP/EP	20.132-1
Iron	JP	20.132-2
Copper	TP/RP	20.132-3
Alumel	KN	20.132-5
Constantan	EN/JN/TN	20.132-6