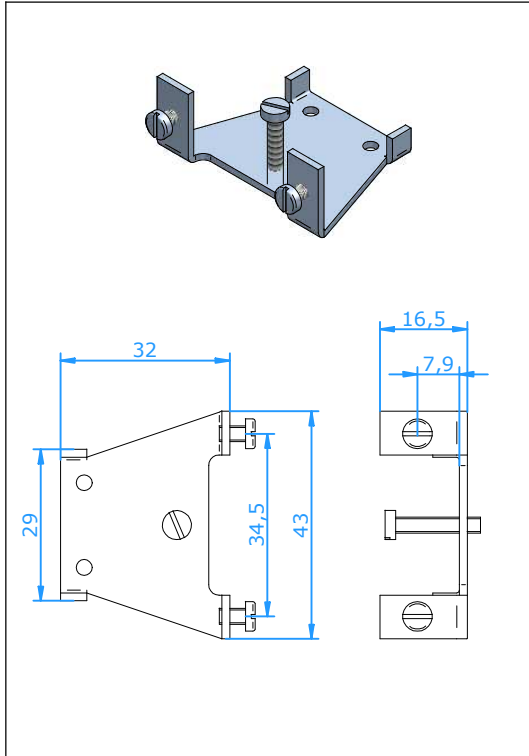




Accessories Panels

Standard Connector Panel Bracket



Application

Mounting a standard connector to use as a high temperature panel insert. Panel thickness is 2,5mm.

Construction

RVS Bracket, screws included.
Connector to be ordered separately.

Temperature rating

650 °C Max. together with ceramic connector
350 °C Max. together with high temperature connector
200 °C Max. together with standard connector

Part Nr.

20.209 Bracket for ceramic connector
20.306 Bracket for standard/high temp connector