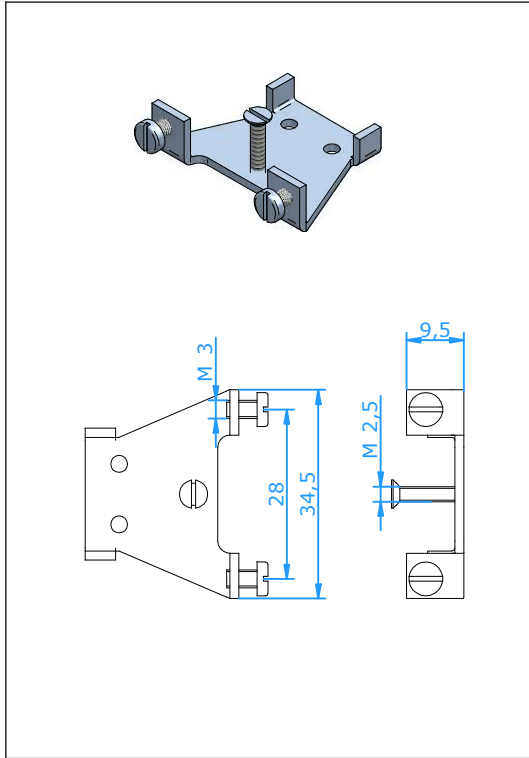




# Accessories Panels

## Miniature Connector Panel Bracket

**Application:**

Mounting a mini connector to use as a high temperature panel insert. Panel thickness is 2,5mm.

**Construction:**

RVS bracket, screws included.

Connector to be ordered separately.

**Temperature rating:**

650 °C Max together with ceramic connector

350 °C Max together with the high temperature connector

**Part Nr:**

20.210 Bracket for ceramic connector

20.307 Bracket for high temperature connector