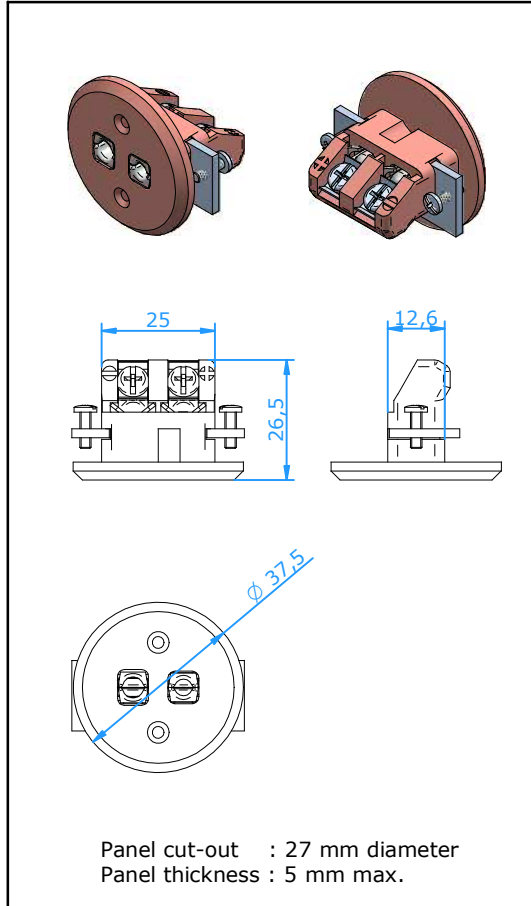




Panels

Panel Insert Round Bracket Mount



Application

Panel insert for thermocouple and RTD circuits.
Suited for small wires. Mounting by means of two screws with a bracket behind the panel ¹⁾.

Construction

- Glass filled thermoplastic body with original thermocouple material pins and springloaded inserts.
- Polarized pins ensure proper connection.
- Easy wire connection through sandwich construction.
- Molded barriers prevent short circuit.
- Rugged one body design.
- Polarity indication on body
- Stainless steel screws and bracket for rear mounting ¹⁾

Wire size

- Accepts wires up to 1,6 mm.

Temperature Rating

- 200 °C Max.

Color Code

- Available in all color code standards, incl. NFE, BS, JIS, etc.

Accessories

- Panel Punch for 27 mm, partnr. 20.367

Note

¹⁾ For other mounting options please see separate specification sheet for PSIR-xx.

Ordering Code : **PSIRB-xx**

For last two digits 'xx' see table below

| | | | | | | | | | |
|---|-----------|-----------|-----------|-----------|-----------|-----------|-----------------|----------------|------------------|
| Calibration Code | E | J | K | N | T | U | R/S | C | B |
| Compensation material for Material Positive | NiCr | Fe | NiCr | NiCrSi | Cu | Cu | Pt13Rh/ Pt | W5Re/ W26Re | Pt6Rh/ Pt30Rh |
| Material Negative | CuNi | CuNi | NiAl | NiSi | CuNi | Cu | Cu Alloy #11 | CPX CNX | Cu Cu |
| IEC Color Code | | | | | | | | | |
| Color Body | Violet | Black | Green | Pink | Brown | White | Orange | Red | Grey |
| Code | EI | JI | KI | NI | TI | UI | RI | C | BI |
| ANSI Color Code | | | | | | | | | |
| Color Body | Violet | Black | Yellow | Orange | Blue | White | Green | Red | Grey |
| Code | EI | JI | KA | NA | TA | UI | RA | C | BI |
| DIN Color Code | | | | | | | | | |
| Color Body | | Blue | Green | | Brown | | White | | Grey |
| Code | | JD | KI | | TI | | RD | | BI |