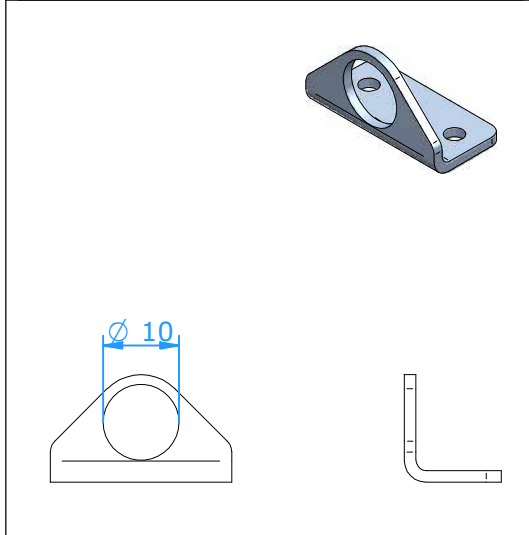




Accessories

Standard Connector L-Bracket

**Application**

Can be used to mount custom accessories on the connector.

Construction

Stainless steel bracket

20.065-1 Standard Connector

This L-Bracket fits on all connectors CSP(L), CSJ, CSPH(L), CSJH, CSPQ(L), CSJQ, CSPT(L) and CSJT.

20.065-2 Standard Connector Ceramic

This L-Bracket fits on all connectors CSPC(L), CSJC, CSPCQ(L) and CSJCQ.