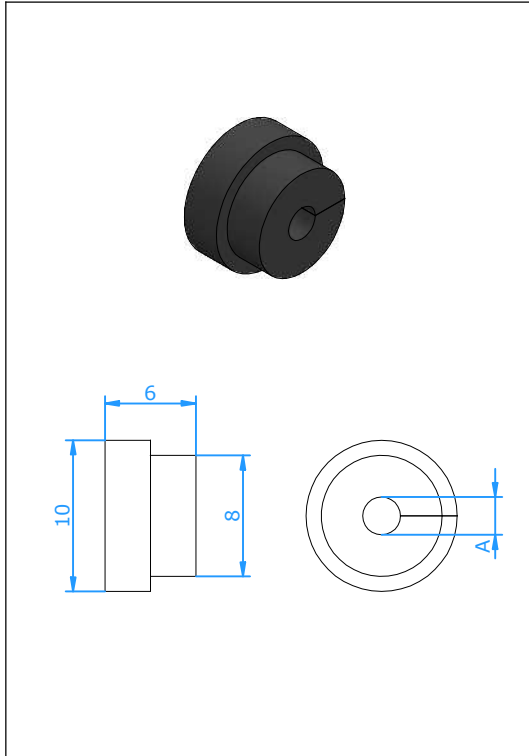




Accessories

Standard Connector Grommet

**Application**

Grommet can be fitted in the entrance hole of the connector to prevent moisture and dirt from entering the connector. Has limited strain relief capabilities.

Construction

Silicone ring slit for easy mounting over the wire. Will compress on the wire when cover is fitted.

Temperature Rating

200 °C Max.

Part Nr.	A
20.048-1	2,50 mm
20.048-2	1,50 mm
20.048-3	4,50 mm