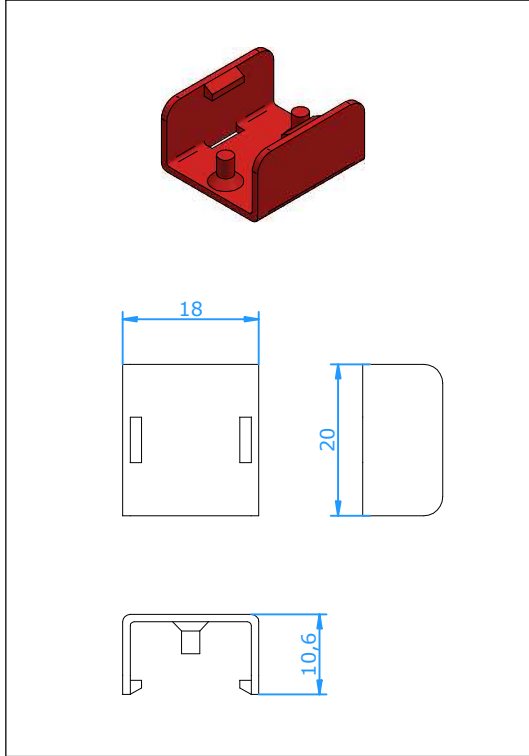




Accessories

Miniature Connector Locking Clip



Application

Miniature connectors donot have a retention groove. In order to prevent accidental disconnection a locking plate can be used.

Construction

- Glass filled thermoplastic with the same temperature rating as the connector body (200°C)
- Red color indicates clearly that circuits are protected
- Can be placed and removed without any tools.

Part Nr. 20.096