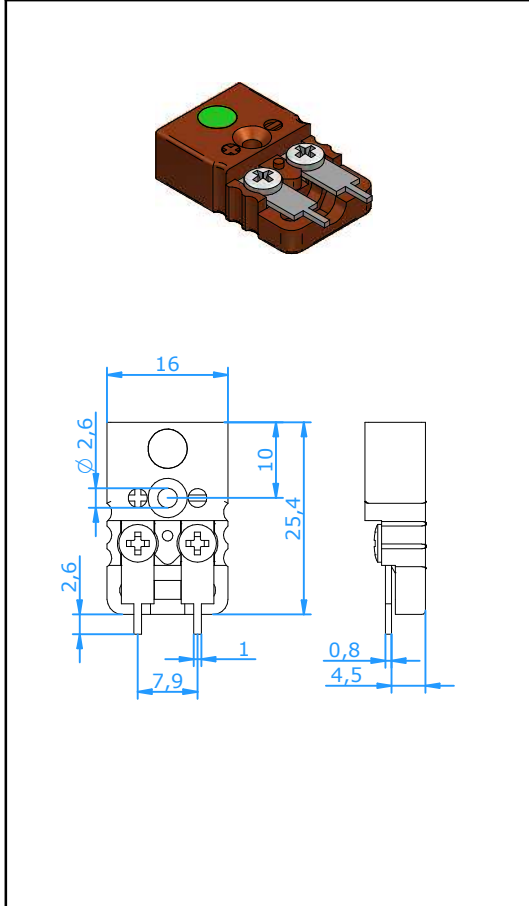




Connectors

Connector Miniature Jack PCB Rear Mounting High Temp



Application

Miniature Jack/Socket for thermocouple and RTD circuits. Designed for direct soldering onto printed circuit boards. Thermoset material designed for use at high temperatures

This version is suitable for rear mounting, other versions available, please see separate specification sheet.

Construction

- Body of thermoset material with original thermocouple material pins and springloaded inserts.
- Copper pins with silverplating
- Rugged one body design.

Temperature rating

- 350 °C Max.

Color Code

- Body color brown
- Color dot to indicate calibration

Ordering Code

CMJH-xxPR

For digits 'xx' see table below

Calibration Code	E	J	K	N	T	U	R/S	C	B
Compensation material for							Pt13Rh/	W5Re/	Pt6Rh/
Material Positive							Pt	W26Re	Pt30Rh
Material Negative	NiCr	Fe	NiCr	NiCrSi	Cu	Cu ¹⁾	Cu	CPX	Cu ¹⁾
	CuNi	CuNi	NiAl	NiSi	CuNi	Cu ¹⁾	Alloy #11	CNX	Cu ¹⁾
IEC Color Code									
Color Dot	Violet	Black	Green	Pink	Brown	White	Orange	Red	Grey
Code	EI	JI	KI	NI	TI	UI	RI	C	BI
ANSI Color Code									
Color Dot	Violet	Black	Yellow	Orange	Blue	White	Green	Red	Grey
Code	EI	JI	KA	NA	TA	UI	RA	C	BI
DIN Color Code									
Color Dot		Blue	Green		Brown		White		Grey
Code		JD	KI		TI		RD		BI