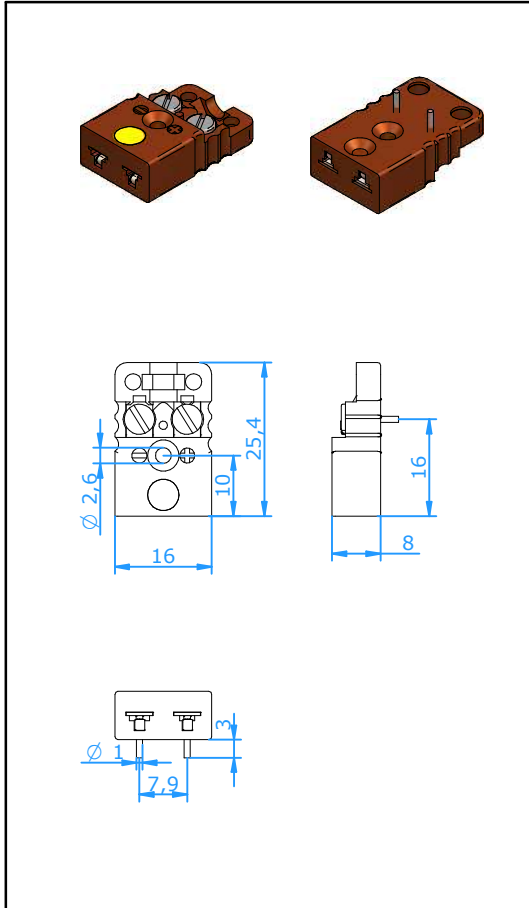




Connectors

Connector Miniature Jack PCB Flat Mounting High Temp



Application

Miniature Jack/Socket for thermocouple and RTD circuits. Designed for direct soldering onto printed circuit boards. Thermoset material designed for use at high temperatures

This version is suitable for flat mounting, other versions available, please see separate specification sheet.

Construction

- Body of thermoset material with original thermocouple material pins and springloaded inserts.
- Brass screws with silver plating
- Rugged one body design.

Temperature rating

- 350 °C Max.

Color Code

- Body color brown
- Color dot to indicate calibration

Ordering Code

CMJH-xxPF

For digits 'xx' see table below

Calibration Code	E	J	K	N	T	U	R/S	C	B
Compensation material for Material Positive							Pt13Rh/ Pt	W5Re/ W26Re	Pt6Rh/ Pt30Rh
Material Negative	NiCr CuNi	Fe CuNi	NiCr NiAl	NiCrSi NiSi	Cu CuNi	Cu ¹⁾ Cu ¹⁾	Cu Alloy #11	CPX CNX	Cu ¹⁾ Cu ¹⁾
IEC Color Code									
Color Dot	Violet	Black	Green	Pink	Brown	White	Orange	Red	Grey
Code	EI	JI	KI	NI	TI	UI	RI	C	BI
ANSI Color Code									
Color Dot	Violet	Black	Yellow	Orange	Blue	White	Green	Red	Grey
Code	EI	JI	KA	NA	TA	UI	RA	C	BI
DIN Color Code									
Color Dot		Blue	Green		Brown		White		Grey
Code		JD	KI		TI		RD		BI