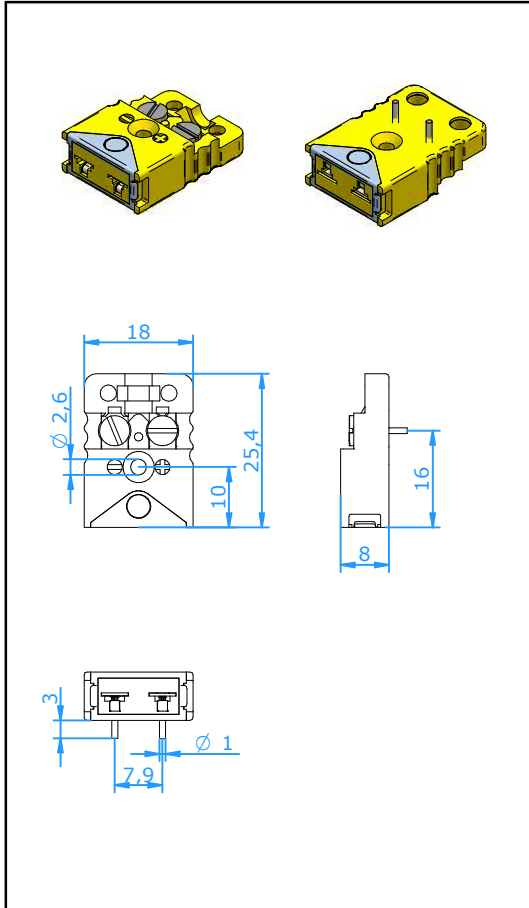




Connectors

Connector Miniature Locking Jack PCB Flat Mounting



Application

Miniature Locking Jack/Socket for thermocouple and RTD circuits. Locking feature prevents unwanted disconnection due to vibration etc. Designed for direct soldering onto printed circuit boards. This version is suitable for flat mounting, other versions available, please see separate specification sheet.

Construction

- Glass filled thermoplastic body with original thermocouple material pins and springloaded inserts
- Brass screws with silver plating
- Rugged one body design
- Stainless steel locking clip
- Locking Connector Jack Miniature also accepts Miniature Connector Plugs without locking feature

Temperature rating

- 220 °C Max.

Color Code

- Available in all color code standards incl. NFE, BS, JIS, etc.

Ordering Code

CMLJ-xxPF

For last two digits 'xx' see table below

| Calibration Code | E | J | K | N | T | U | R/S | C | B |
|---|-----------|-----------|-----------|-----------|-----------|-----------|---------------|----------------|------------------|
| Compensation material for Material Positive | NiCr | Fe | NiCr | NiCrSi | Cu | Cu | Pt13Rh/ Pt | W5Re/ W26Re | Pt6Rh/ Pt30Rh |
| Material Negative | CuNi | CuNi | NiAl | NiSi | CuNi | Cu | Alloy #11 | CPX CNX | Cu Cu |
| IEC Color Code | | | | | | | | | |
| Color Body | Violet | Black | Green | Pink | Brown | White | Orange | Red | Grey |
| Code | EI | JI | KI | NI | TI | UI | RI | C | BI |
| ANSI Color Code | | | | | | | | | |
| Color Body | Violet | Black | Yellow | Orange | Blue | White | Green | Red | Grey |
| Code | EI | JI | KA | NA | TA | UI | RA | C | BI |
| DIN Color Code | | | | | | | | | |
| Color Body | | Blue | Green | | Brown | | White | | Grey |
| Code | | JD | KI | | TI | | RD | | BI |