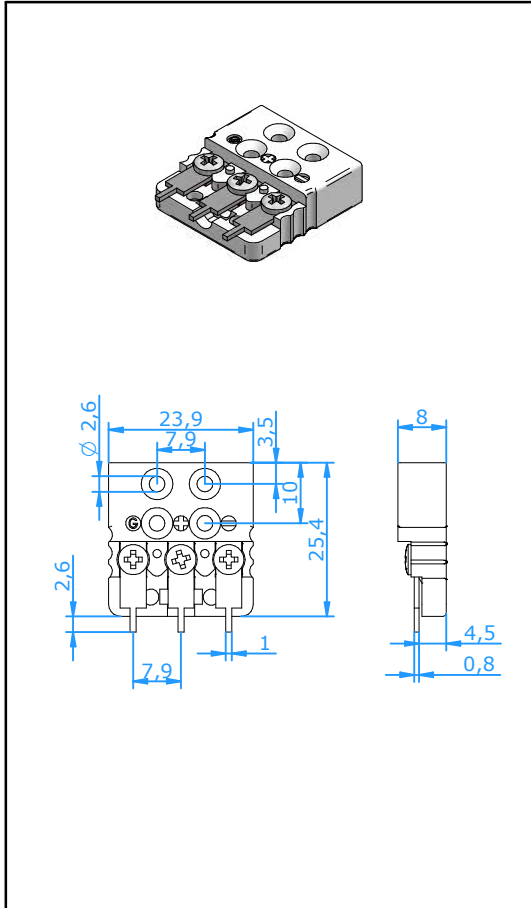




# Connectors

## Connector Miniature Jack Three Pin PCB Rear Mounting



### Application

Miniature Jack/Socket for thermocouple and RTD circuits. Designed for direct soldering onto printed circuit boards.

This version is suitable for rear mounting, other versions available, please see separate specification sheet.

### Construction

- Glass filled thermoplastic body with original thermocouple material pins and springloaded inserts.
- Copper pins with silver plating
- Rugged one body design.

### Temperature rating

- 220 °C Max.

### Color Code

- Available in all color code standards incl. NFE, BS, JIS, etc.

### Ordering Code

**CMJT-xxPR**

For last two digits 'xx' see table below

Calibration Code	<b>E</b>	<b>J</b>	<b>K</b>	<b>N</b>	<b>T</b>	<b>U</b>	<b>R/S</b>	<b>C</b>	<b>B</b>
Compensation material for Material Positive							Pt13Rh/ Pt	W5Re/ W26Re	Pt6Rh/ Pt30Rh
Material Negative	NiCr CuNi	Fe CuNi	NiCr NiAl	NiCrSi NiSi	Cu CuNi	Cu Cu	Cu Alloy #11	CPX CNX	Cu Cu
<b>IEC Color Code</b>									
Color Body	Violet	Black	Green	Pink	Brown	White	Orange	Red	Grey
Code	<b>EI</b>	<b>JI</b>	<b>KI</b>	<b>NI</b>	<b>TI</b>	<b>UI</b>	<b>RI</b>	<b>C</b>	<b>BI</b>
<b>ANSI Color Code</b>									
Color Body	Violet	Black	Yellow	Orange	Blue	White	Green	Red	Grey
Code	<b>EI</b>	<b>JI</b>	<b>KA</b>	<b>NA</b>	<b>TA</b>	<b>UI</b>	<b>RA</b>	<b>C</b>	<b>BI</b>
<b>DIN Color Code</b>									
Color Body		Blue	Green		Brown		White		Grey
Code		<b>JD</b>	<b>KI</b>		<b>TI</b>		<b>RD</b>		<b>BI</b>