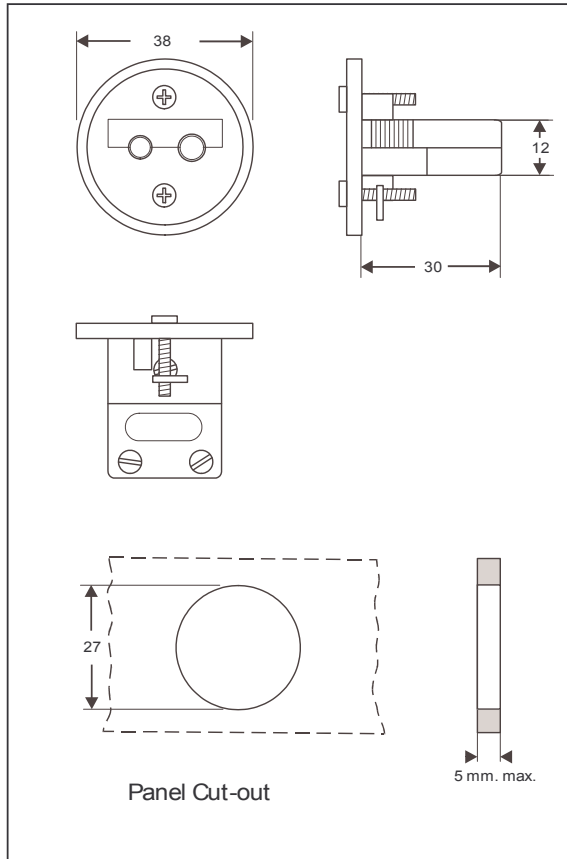


Panels

Standard Panel Insert Direct Mount



Application: Panel insert for thermocouple and RTD circuits.
Designed to be fitted in a round panel cutout of 27 mm.

Construction:

- Glass filled thermoplastic body with original thermocouple material pins and springloaded inserts.
- Polarized pins ensure proper connection.
- Polarity indication on body.
- Can be mounted by means of two screws at the front.

Wire size:

- Accepts wires from 0,2 mm to 2,0 mm.

Temperature rating:

- 200 Deg. C Max.

Color Code:

- Available in ANSI color code, some calibrations also available in IEC color code

Calibration Code	J	K	T	E	R/S	U	N
Contact Material Positive	Fe	NiCr	Cu	NiCr	Cu	Cu	NiCrSi
Contact Material Negative	CuNi	NiAl	CuNi	CuNi	Alloy #11	Cu	NiSi
ANSI Color Code							
Color Body	Black	Yellow	Blue	Violet	Green	White	Orange
Part number	PSIR-JI	PSIR-KA	PSIR-TA	PSIR-EI	PSIR-RA	PSIR-UI	PSIR-NA
IEC Color Code							
Color Body	Black	Green		Violet	Orange	White	
Part number	PSIR-JI	PSIR-KI		PSIR-EI	PSIR-RI	PSIR-UI	

29-08-07