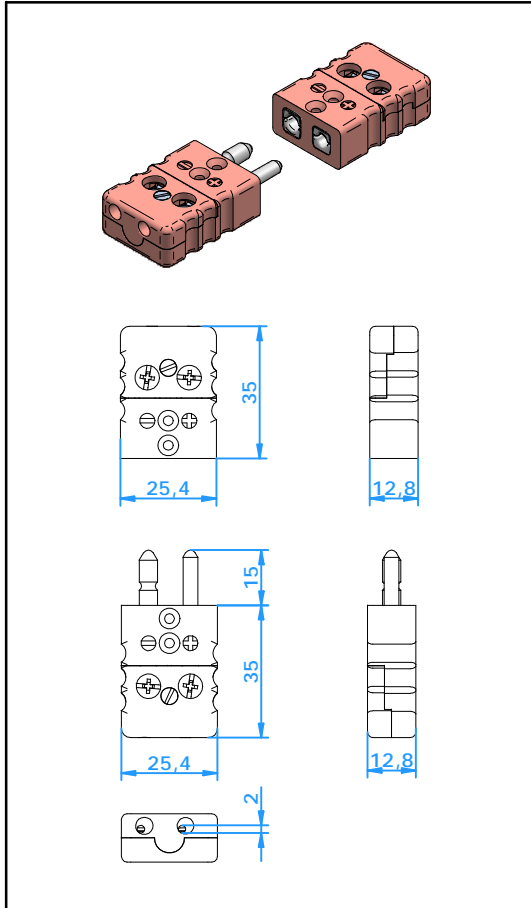




Connectors

Standard Connector Jab-in



Application

Connector for thermocouple and RTD circuits. Jab-in cover allow easy connection without need for cover removal. Solid pin design ensures good contact even in demanding applications. Hollow pin design offers a good quality product at competitive pricing for less frequently used connectors.

Construction

- Glass filled thermoplastic body with original thermocouple material pins.
- Polarized pins.
- Molded barriers prevent short circuit.
- Captive cover screw for easy assembly.

Wire size

- Accepts wires from 0,2 mm to 2,0 mm.

Temperature rating

- 200 °C Max.

Color Code

- Available in all color code standards. Incl. NFE, BS, JIS, etc.

Accessories

- Large variety of accessories for the standard connector are available. See separate specification sheets.

Ordering Code Plug Solid Pin : CSPQ-xx For last two digits 'xx' see table below
 Plug Hollow Pin: CSPQL-xx
 Jack : CSJQ-xx

Calibration Code	E	J	K	N	T	U	R/S	C	B
Compensation material for Material Positive	NiCr	Fe	NiCr	NiCrSi	Cu	Cu	Pt13Rh/ Pt	W5Re/ W26Re	Pt6Rh/ Pt30Rh
Material Negative	CuNi	CuNi	NiAl	NiSi	CuNi	Cu	Cu Alloy #11	CPX CNX	Cu Cu
IEC Color Code	Violet	Black	Green	Pink	Brown	White	Orange	Red	Grey
Color Body Code	EI	JI	KI	NI	TI	UI	RI	C	BI
ANSI Color Code	Violet	Black	Yellow	Orange	Blue	White	Green	Red	Grey
Color Body Code	EI	JI	KA	NA	TA	UI	RA	C	BI
DIN Color Code		Blue	Green		Brown		White		Grey
Color Body Code		JD	KI		TI		RD		BI