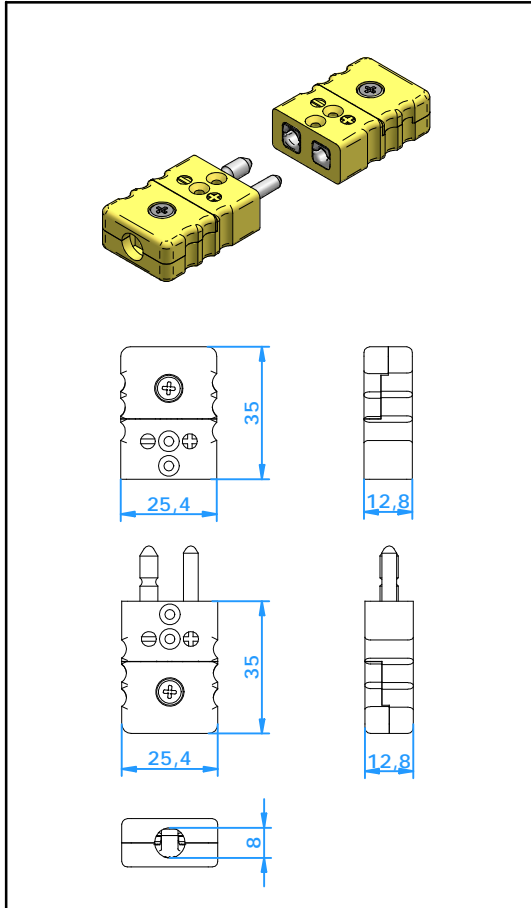




# Connectors

## Standard Connector Economy



### Application

Connector for thermocouple and RTD circuits. Hollow pin design offers a good quality product at competitive pricing for less frequently used connectors.

### Construction

- Glass filled Nylon body with original thermocouple material pins.
- Polarized hollow pins.
- Central cover screw design for quick wiring.
- Molded barriers prevent short circuit.
- Zinc plated steel screws

### Wire size

- Accepts wires from 0,2 mm to 2,0 mm.
- Maximum cable diameter 8,0 mm.

### Temperature rating

- 200 °C Max.

### Color Code

- Available according to ANSI and IEC

### Accessories

- Not all accessories for the standard connector can be fitted. Please consult factory.

Ordering Code Plug: CSPE-xx  
Jack: CSJE-xx

For last two digits 'xx' see table below

Calibration Code	J	K	N	T	R/S
Compensation Material for					Pt13Rh/Pt
Contact Material Positive	Fe	NiCr	NiCrSi	Cu	Cu
Contact Material Negative	CuNi	NiAl	NiSi	CuNi	Alloy #11
IEC Color Code					
Color Body	Black	Green	Pink	Brown	Orange
Code	J1	K1	N1	T1	R1
ANSI Color Code					
Color Body	Black	Yellow	Pink	Blue	Green
Code	J1	KA	NA	TA	RA