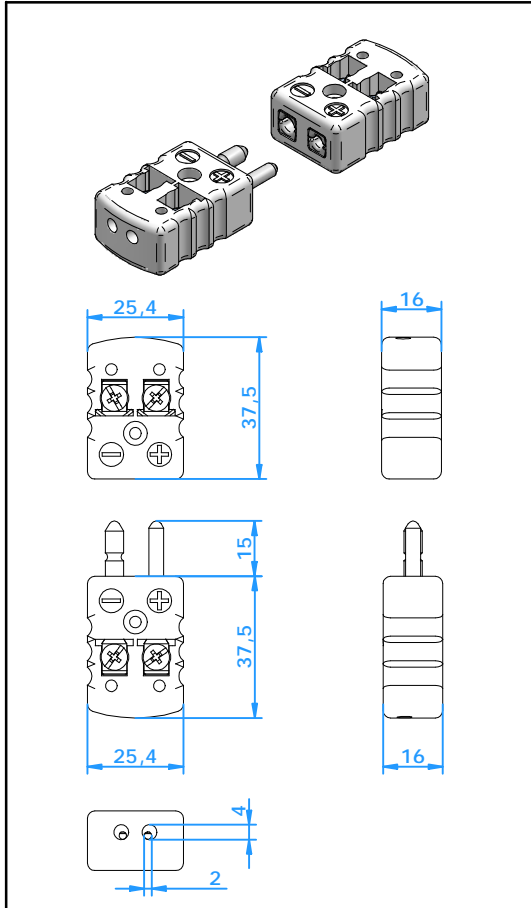




10-03-2010

Connectors

Standard Connector Ceramic Jab-in



Application

Connector for thermocouple and RTD circuits. Allows easy connection without need for cover removal. Solid pin design ensures good contact even in demanding applications. Hollow pin design offers a good quality product at competitive pricing for less frequently used connectors.

Construction

- Ceramic body with original thermocouple material pins and springloaded inserts.
- Rugged one body design
- Polarized pins
- Easy wire connection through sandwich construction
- Molded barriers prevent short circuit
- High purity alumina body material

Wire size

- Accepts wires from 0,2 mm to 2,0 mm.

Temperature rating

- 650 °C Max.

Color Code

- Body color white with color dot. Body without colour dot available on request.

Accessories

- Wire clamp bracket, see separate specification sheet.

Ordering Code Plug Solid Pin : CSPCQ-xx
 Plug Hollow Pin: CSPCQL-xx
 Jack : CSJQ-xx

For last two digits 'xx' see table below

Calibration Code	E	J	K	N	T	U	R/S	C	B
Compensation material for							Pt13Rh/ Pt	W5Re/ W26Re	Pt6Rh/ Pt30Rh
Material Positive	NiCr	Fe	NiCr	NiCrSi	Cu	Cu ¹⁾	Cu	CPX	Cu ¹⁾
Material Negative	CuNi	CuNi	NiAl	NiSi	CuNi	Cu ¹⁾	Alloy #11	CNX	Cu ¹⁾
IEC Color Code									
Color Dot	Violet	Black	Green	Pink	Brown	White	Orange	Red	Grey
Code	EI	JI	KI	NI	TI	UI	RI	C ²⁾	BI
ANSI Color Code									
Color Dot	Violet	Black	Yellow	Orange	Blue	White	Green	Red	Grey
Code	EI	JI	KA	NA	TA	UI	RA	C ²⁾	BI
DIN Color Code									
Color Dot		Blue	Green		Brown		White		Grey
Code		JD	KI		TI		RD		BI

Note ¹⁾ Copper pins are also available with a hard nickel plating, please add "NP" after the calibration code
²⁾ Type C connector plug is only available in a hollow pin version



HamiTherm BV - Jade 216 - 3316 LJ Dordrecht - The Netherlands
 Tel. +31 (0)78 654 9976 - Fax +31 (0)78 651 4601 - info@hamitherm.nl - www.hamitherm.nl

