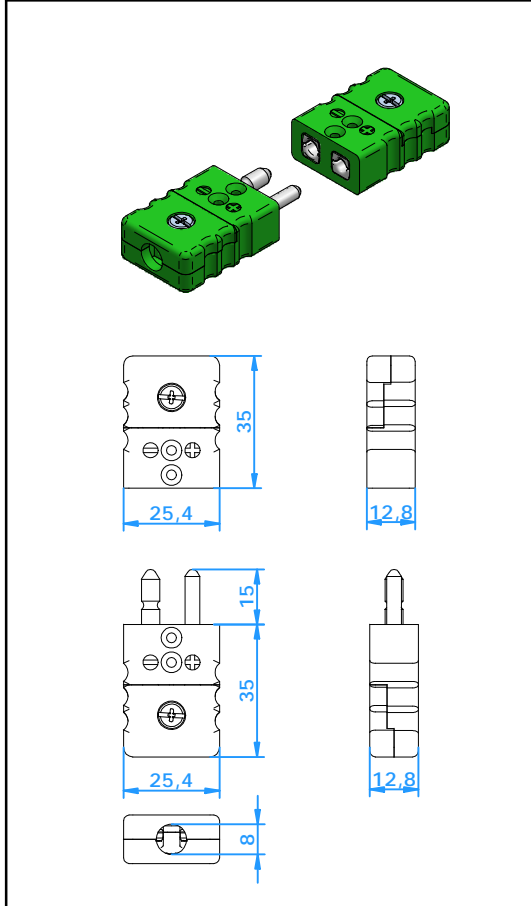




# Connectors

## Standard Connector



### Application

Connector for thermocouple and RTD circuits. Solid pin design ensures good contact even in demanding applications. Hollow pin design offers a good quality product at competitive pricing for less frequently used connectors.

### Construction

- Glass filled high quality thermoplastic body with original thermocouple material pins and springloaded inserts.
- Polarized pins.
- Central cover screw design for quick wiring.
- Molded barriers prevent short circuit.
- Captive cover screw for easy assembly.
- Easy wire connection through sandwich construction
- Stainless Steel screws with combination head (Slotted and Phillips)

### Wire size

- Accepts wires from 0,2 mm to 2,0 mm.
- Maximum cable diameter 8,0 mm.

### Temperature rating

- 200 °C Max.

### Color Code

- Available in all color code standards. Incl. NFE, BS, JIS, etc.

### Accessories

- Large variety of accessories for the standard connector are available. See separate specification sheets.

Ordering Code Plug Solid Pin : CSP-xx For last two digits 'xx' see table below  
 Plug Hollow Pin: CSPL-xx  
 Jack : CSJ-xx

Calibration Code	E	J	K	N	T	U	R/S	C	B
Compensation material for Material Positive	NiCr	Fe	NiCr	NiCrSi	Cu	Cu	Pt13Rh/ Pt	W5Re/ W26Re	Pt6Rh/ Pt30Rh
Material Negative	CuNi	CuNi	NiAl	NiSi	CuNi	Cu	Cu Alloy #11	CPX CNX	Cu Cu
IEC Color Code	Violet	Black	Green	Pink	Brown	White	Orange	Red	Grey
Color Body Code	EI	JI	KI	NI	TI	UI	RI	C	BI
ANSI Color Code	Violet	Black	Yellow	Orange	Blue	White	Green	Red	Grey
Color Body Code	EI	JI	KA	NA	TA	UI	RA	C	BI
DIN Color Code		Blue	Green		Brown		White		Grey
Color Body Code		JD	KI		TI		RD		BI