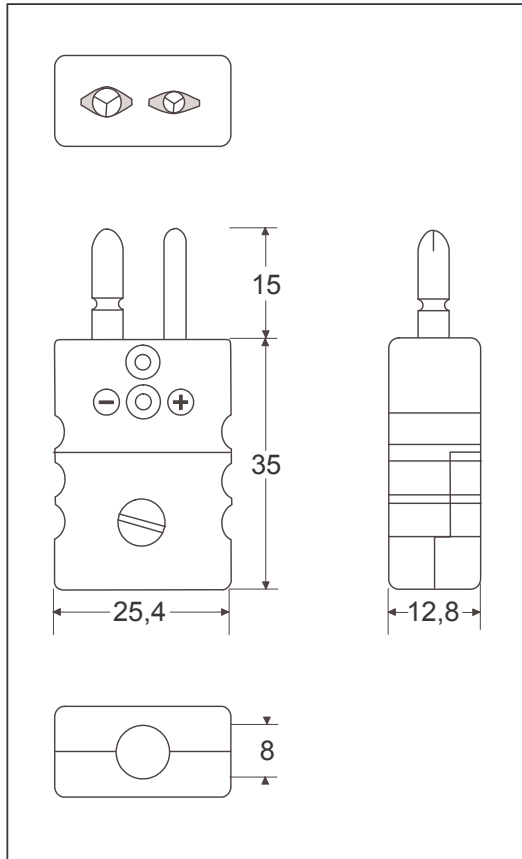


# Connectors

## Standard Connector Hollow Pin



**Application:** Connector for thermocouple and RTD circuits. Hollow pin design offers a good quality product at competitive pricing for less frequently used connectors.

**Construction:**

- Glass filled high quality thermoplastic body with original thermocouple material pins.
- Polarized pins.
- Central cover screw design for quick wiring.
- Molded barriers prevent short circuit.
- Captive cover screw for easy assembly.
- Easy wire connection through sandwich construction
- Stainless Steel screws

**Wire size:**

- Accepts wires from 0,2 mm to 2,0 mm.
- Maximum cable diameter 8,0 mm.

**Temperature rating:**

- 200 Deg. C Max.

**Color Code:**

- Available in all color code standards. Incl. NFE, BS, JIS, etc.

**Accessories:**

- All accessories for the standard connector can be fitted. See separate specification sheet.

**Ordering Code Plug: CSPL-xx**

For last two digits 'xx' see table below

Example : CSPL-KI = Connector Std. Plug Hollow Pin type K Green

Calibration Code	<b>E</b>	<b>J</b>	<b>K</b>	<b>N</b>	<b>T</b>	<b>U</b>	<b>R/S</b>	<b>C</b>	<b>B</b>
Compensation material for							Pt13Rh/ Pt	W5Re/ W26Re	Pt6Rh/ Pt30Rh
Material Positive	NiCr	Fe	NiCr	NiCrSi	Cu	Cu	Cu	CPX	Cu
Material Negative	CuNi	CuNi	NiAl	NiSi	CuNi	Cu	Alloy #11	CNX	Cu
<b>IEC Color Code</b>									
Color Body	Violet	Black	Green	Pink	Brown	White	Orange	Red	Grey
Code	<b>EI</b>	<b>JJ</b>	<b>KI</b>	<b>NI</b>	<b>TI</b>	<b>UI</b>	<b>RI</b>	<b>C</b>	<b>BI</b>
<b>ANSI Color Code</b>									
Color Body	Violet	Black	Yellow	Orange	Blue	White	Green	Red	Grey
Code	<b>EI</b>	<b>JJ</b>	<b>KA</b>	<b>NA</b>	<b>TA</b>	<b>UI</b>	<b>RA</b>	<b>C</b>	<b>BI</b>
<b>DIN Color Code</b>									
Color Body		Blue	Green		Brown		White		Grey
Code		<b>JD</b>	<b>KI</b>		<b>TI</b>		<b>RD</b>		<b>BI</b>

01-08-07

Note: For ordering code Jack see specification sheet "standard connector solid pin"

Hamitherm BV – PO Box 433 – 2100 AK Heemstede – The Netherlands.  
Tel. +31 (0)23 547 1283 – Fax +31 (0)23 547 8036 – info@hamitherm.nl - www.hamitherm.nl