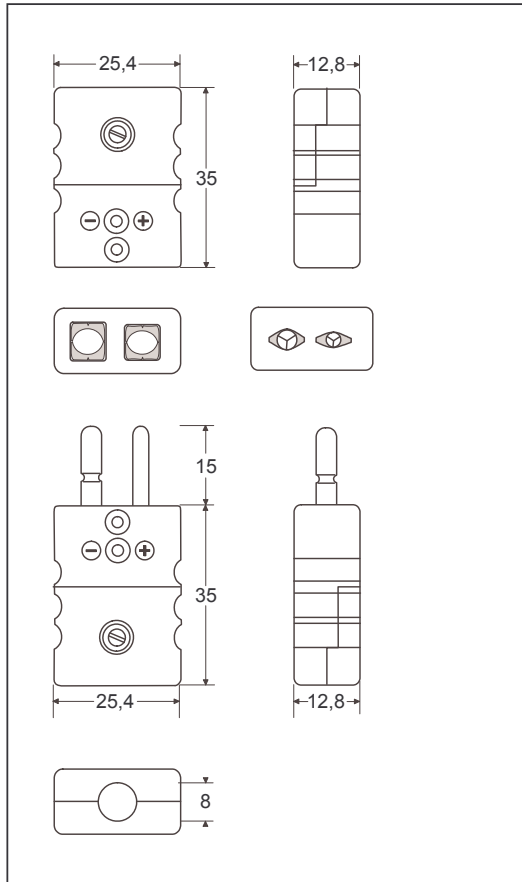


Connectors

Standard Connector Economy



Application: Connector for thermocouple and RTD circuits. Hollow pin design offers a good quality product at competitive pricing for less frequently used connectors.

Construction:

- Glass filled Nylon body with original thermocouple material pins.
- Polarized hollow pins.
- Central cover screw design for quick wiring.
- Molded barriers prevent short circuit.
- Zinc plated steel screws

Wire size:

- Accepts wires from 0,2 mm to 2,0 mm.
- Maximum cable diameter 8,0 mm.

Temperature rating:

- 200 Deg. C Max.

Color Code:

- Available in type J and K according to ANSI and IEC

Accessories:

- Not all accessories for the standard connector can be fitted. Please consult Hamitherm.

Calibration Code	J	K
Contact Material Positive	Fe	NiCr
Contact Material Negative	CuNi	NiAl
IEC Color Code		
Color Body	Black	Green
Part number male plug	CSPE-JI	CSPE-KI
Part number female jack	CSJE-JI	CSPE-KI
ANSI Color Code		
Color Body	Black	Yellow
Part number male plug	CSPE-JI	CSPE-KA
Part number female jack	CSJE-JI	CSPE-KA

01-08-07