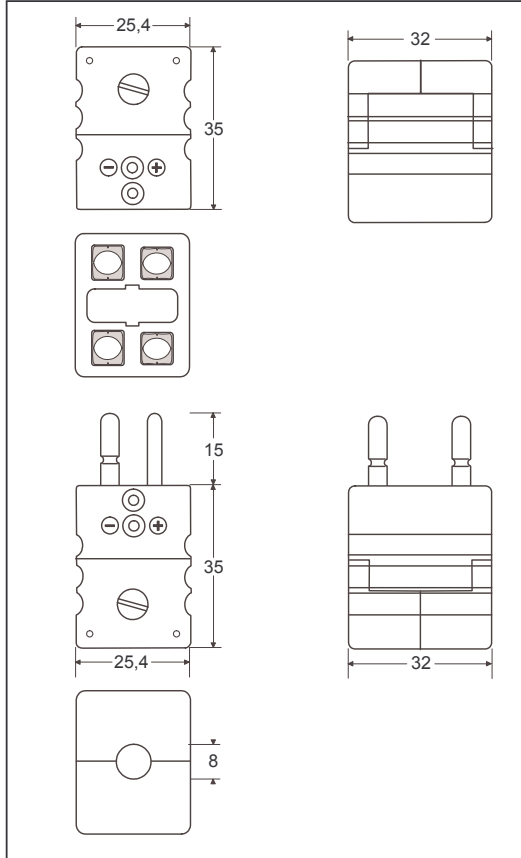


Connectors

Standard Connector Duplex



Application: Connector for thermocouple and RTD circuits. Solid pin design ensures good contact even in demanding applications. Is very well suited for 4-wire RTD-^s. Can be supplied with a lower price in a hollow pin version.

Construction:

- Glass filled thermoplastic body with original thermocouple material pins and springloaded inserts.
- Polarized pins.
- Central cover screw design for quick wiring.
- Molded barriers prevent short circuit.
- Captive cover screw for easy assembly.
- Connects with standard horizontal and vertical panels.

Wire size:

- Accepts wires from 0,2 mm to 2,0 mm.
- Maximum cable diameter 8,0 mm.

Temperature rating:

- 200 Deg. C Max.

Color Code:

- Body color white. Calibration indication printed on cover. Colored dot indication optional.

Accessories:

- Will accept crimpinserts. For other accessories consult factory.

Ordering Code **Plug:** CSPD-xx For last two digits 'xx' see table below
Jack: CSJD-xx Example : CSPD-K = Connector Std. Plug Duplex

Calibration Code	E	J	K	N	T	U	R/S	C	B
Compensation material for							Pt13Rh/ Pt	W5Re/ W26Re	Pt6Rh/ Pt30Rh
Material Positive	NiCr	Fe	NiCr	NiCrSi	Cu	Cu	Cu	CPX	Cu
Material Negative	CuNi	CuNi	NiAl	NiSi	CuNi	Cu	Alloy #11	CNX	Cu
IEC Color Code									
Color Dot	Violet	Black	Green	Pink	Brown	White	Orange	Red	Grey
Code	EI	JI	KI	NI	TI	UI	RI	C	BI
ANSI Color Code									
Color Dot	Violet	Black	Yellow	Orange	Blue	White	Green	Red	Grey
Code	EI	JI	KA	NA	TA	UI	RA	C	BI
DIN Color Code									
Color Dot		Blue	Green		Brown		White		Grey
Code		JD	KI		TI		RD		BI

01-08-07