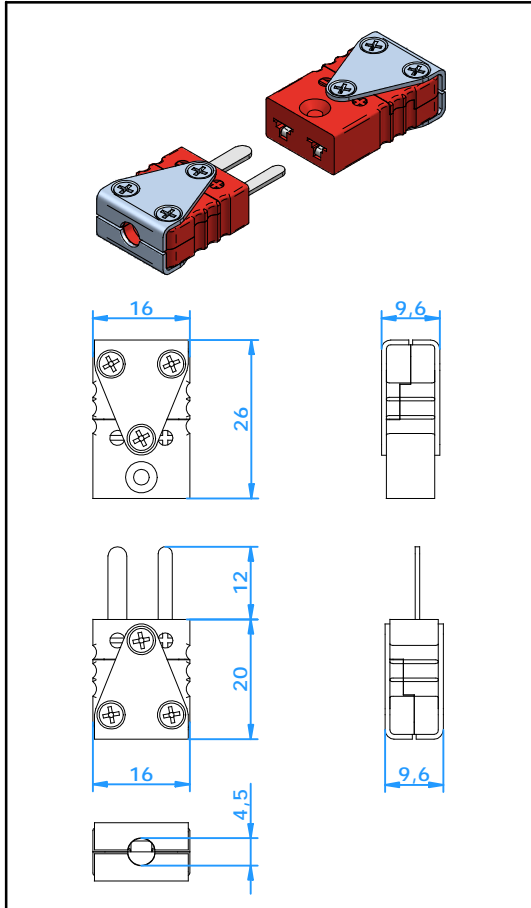




Connectors

Miniature Connector Ultra High Temperature



Application

Connector for thermocouple and RTD circuits. Suited for small wires and mineral insulated cables. Plastic compound designed for use at elevated temperatures.

Construction

- body of ultra high temp thermoset compound with original thermocouple material pins and springloaded inserts.
- Polarized pins ensure proper connection.
- Easy wire connection through sandwich construction.
- Molded barriers prevent short circuit.
- Rugged one body design.
- Stainless steel bracket and screws to increase strength of the connector body

Wire size

- Accepts wires from 0,002 mm to 0,6 mm.
- Maximum cable diameter 4,5 mm.

Temperature rating

- 425 °C continuous, 540 °C intermittent

Color Code

- Body color brown. Calibration indication stamped on the stainless steel top-bracket.

Accessories

- See separate specification sheet.

Ordering Code Plug: CMPU-x 'x' is Calibration Code (see tabel below)
Jack: CMJU-x

Calibration Code	E	J	K	N	T	U	R/S	C	B
Compensation material for							Pt13Rh/ Pt	W5Re/ W26Re	Pt6Rh/ Pt30Rh
Material Positive	NiCr	Fe	NiCr	NiCrSi	Cu	Cu ¹⁾	Cu	CPX	Cu ¹⁾
Material Negative	CuNi	CuNi	NiAl	NiSi	CuNi	Cu ¹⁾	Alloy #11	CNX	Cu ¹⁾

Note ¹⁾ Copper pins are also available with a hard nickel plating, please add "NP" after the calibration code