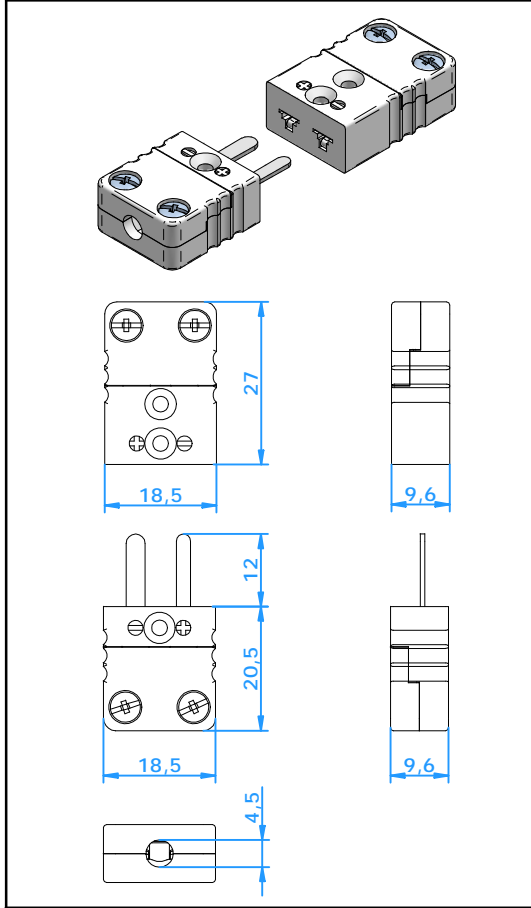




Connectors

Miniature Connector Ceramic



Application

Connector for thermocouple and RTD circuits. Suited for small wires and mineral insulated cables.

Construction

- Ceramic body with original thermocouple material pins and springloaded inserts.
- Polarized pins ensure proper connection.
- Oversize screw head for easy wiring.
- One body design
- High purity alumina body material

Wire size

- Accepts wires from 0,1 mm to 0,6 mm.
- Maximum cable diameter 4,5 mm.

Temperature rating:

- 650 °C Max.

Color Code

- Body color white. Calibration indication by colored dot

Accessories:

- Crimp-inserts and wire clamp bracket available, please see separate specification sheet

Ordering Code Plug: CMPC-xx
Jack: CMJC-xx

For last two digits 'xx' see table below

Calibration Code	E	J	K	N	T	U	R/S	C	B
Compensation material for							Pt13Rh/ Pt	W5Re/ W26Re	Pt6Rh/ Pt30Rh
Material Positive	NiCr	Fe	NiCr	NiCrSi	Cu	Cu ¹⁾	Cu	CPX	Cu ¹⁾
Material Negative	CuNi	CuNi	NiAl	NiSi	CuNi	Cu ¹⁾	Alloy #11	CNX	Cu ¹⁾
IEC Color Code									
Color Dot	Violet	Black	Green	Pink	Brown	White	Orange	Red	Grey
Code	EI	JJ	KI	NI	TI	UI	RI	C	BI
ANSI Color Code									
Color Dot	Violet	Black	Yellow	Orange	Blue	White	Green	Red	Grey
Code	EI	JJ	KA	NA	TA	UI	RA	C	BI
DIN Color Code									
Color Dot		Blue	Green		Brown		White		Grey
Code		JD	KI		TI		RD		BI

Note ¹⁾ Copper pins are also available with a hard nickel plating, please add "NP" after the calibration code