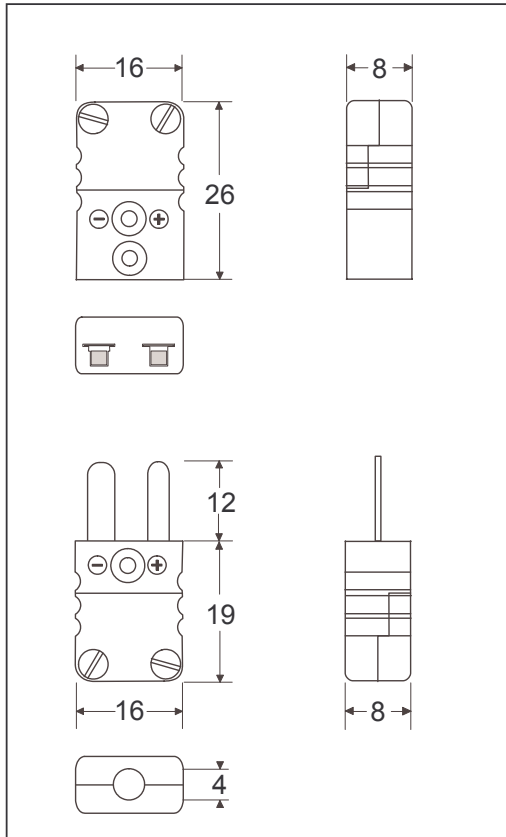


Connectors

Economy Miniature Connector



Application: Connector for thermocouple circuits. Suited for small wires and mineral insulated cables.

Construction:

- Glass filled Nylon body with original thermocouple material pins and springloaded inserts.
- Polarized pins ensure proper connection.
- Molded barriers prevent short circuit.
- Rugged one body design.
- Zinc plated steel screws with slotted head

Wire size:

- Accepts wires from 0,002 mm to 0,6 mm.
- Maximum cable diameter 4,5 mm.

Temperature rating:

- 200 Deg. C Max.

Color Code:

Available in type J and K according to ANSI and IEC

Accessories:

- See separate specification sheet.

Calibration Code	J	K
Contact Material Positive	Fe	NiCr
Contact Material Negative	CuNi	NiAl
IEC Color Code		
Color Body	Black	Green
Part number male plug	CMPE-JI	CMPE-KI
Part number female jack	CMJE-JI	CMJE-KI
ANSI Color Code		
Color Body	Black	Yellow
Part number male plug	CMPE-JI	CMPE-KA
Part number female jack	CMJE-JI	CMJE-KA

01-08-07