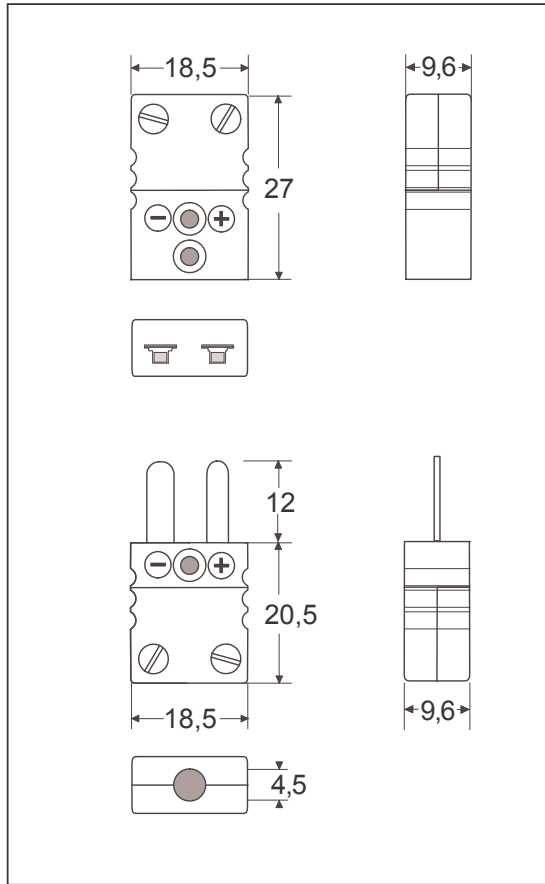


Connectors

Miniature Ceramic Connector



Application: Connector for thermocouple and RTD circuits. Suited for small wires and mineral insulated cables.

Construction:

- Ceramic body with original thermocouple material pins and springloaded inserts.
- Polarized pins ensure proper connection.
- Oversize screw head for easy wiring.
- One body design
- High purity alumina body material

Wire size:

- Accepts wires from 0,1 mm to 0,6 mm.
- Maximum cable diameter 4,5 mm.

Temperature rating:

- 650 Deg. C Max.

Color Code:

- Body color white. Calibration indication by colored dot

Accessories:

- Contact factory.

Ordering Code **Plug:** CMPC-xx For last two digits 'xx' see table below
Jack: CMJC-xx Example : CMPC-KI = Connector Mini Plug Ceramic type K Green dot

Calibration Code	E	J	K	N	T	U	R/S	C	B
Compensation material for							Pt13Rh/ Pt	W5Re/ W26Re	Pt6Rh/ Pt30Rh
Material Positive	NiCr	Fe	NiCr	NiCrSi	Cu	Cu	Cu	CPX	Cu
Material Negative	CuNi	CuNi	NiAl	NiSi	CuNi	Cu	Alloy #11	CNX	Cu
IEC Color Code									
Color Dot	Violet	Black	Green	Pink	Brown	White	Orange	Red	Grey
Code	EI	JI	KI	NI	TI	UI	RI	C	BI
ANSI Color Code									
Color Dot	Violet	Black	Yellow	Orange	Blue	White	Green	Red	Grey
Code	EI	JI	KA	NA	TA	UI	RA	C	BI
DIN Color Code									
Color Dot		Blue	Green		Brown		White		Grey
Code		JD	KI		TI		RD		BI

01-08-07

Hamitherm BV – PO Box 433 – 2100 AK Heemstede – The Netherlands.
 Tel. +31 (0)23 547 1283 – Fax +31 (0)23 547 8036 – info@hamitherm.nl - www.hamitherm.nl