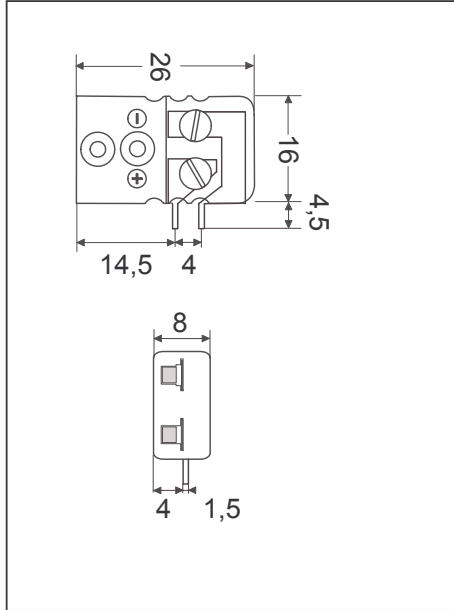


Connector

Miniature Jack for PCB side mounting



Application: Miniature Jack/Socket for thermocouple and RTD circuits. Designed for direct soldering onto printed circuit boards.

This version is suitable for side mounting, other versions available, please consult Hamitherm.

Construction:

- Glass filled thermoplastic body with original thermocouple material pins and springloaded inserts.
- Polarized pins ensure proper connection.
- Copper pins for soldering on the PCB
- Rugged one body design.

Temperature rating:

- 200 Deg. C Max.

Color Code:

- Available in all color code standards. incl. NFE, BS, JIS, etc.

Ordering Code **CMJ-xxPS** For digits 'xx' see table below
Example : CMJ-KIPS

| | | | | | | | | | |
|---------------------------|-----------|-----------|-----------|-----------|-----------|-----------|---------------|----------------|------------------|
| Calibration Code | E | J | K | N | T | U | R/S | C | B |
| Compensation material for | | | | | | | Pt13Rh/ Pt | W5Re/ W26Re | Pt6Rh/ Pt30Rh |
| Material Positive | NiCr | Fe | NiCr | NiCrSi | Cu | Cu | Cu | CPX | Cu |
| Material Negative | CuNi | CuNi | NiAl | NiSi | CuNi | Cu | Alloy #11 | CNX | Cu |
| IEC Color Code | | | | | | | | | |
| Color Body | Violet | Black | Green | Pink | Brown | White | Orange | Red | Grey |
| Code | EI | JI | KI | NI | TI | UI | RI | C | BI |
| ANSI Color Code | | | | | | | | | |
| Color Body | Violet | Black | Yellow | Orange | Blue | White | Green | Red | Grey |
| Code | EI | JI | KA | NA | TA | UI | RA | C | BI |
| DIN Color Code | | | | | | | | | |
| Color Body | | Blue | Green | | Brown | | White | | Grey |
| Code | | JD | KI | | TI | | RD | | BI |

01-08-07