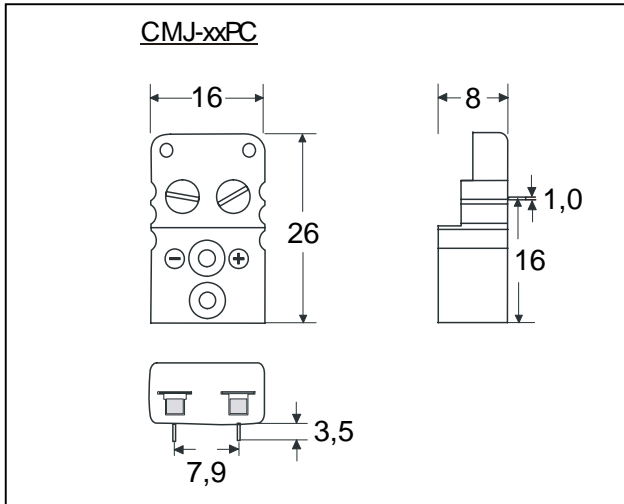


Connectors

Miniature Jack for PCB mounting



Application: Miniature Jack/Socket for thermocouple and RTD circuits. Designed for direct soldering onto printed circuit boards.

Available for flat mounting (CMJ-xxPC) and upright mounting (CMJ-xxPR)

Construction:

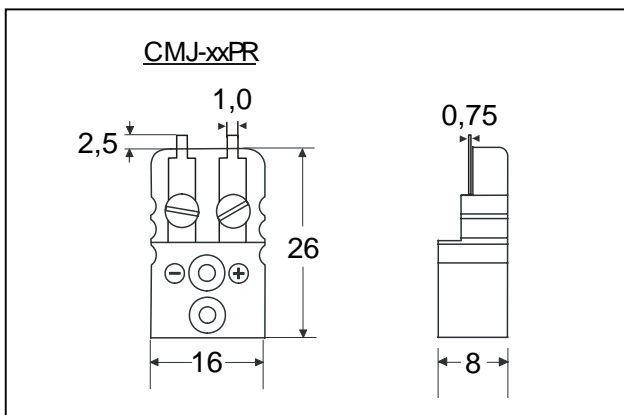
- Glass filled thermoplastic body with original thermocouple material pins and springloaded inserts.
- Polarized pins ensure proper connection.
- Brass screws for soldering on the PCB
- Rugged one body design.

Temperature rating:

- 200 Deg. C Max.

Color Code:

- Available in all color code standards. incl. NFE, BS, JIS, etc.



Calibration Code	J	K	T	E	R/S	U	N
Contact Material Positive	Fe	NiCr	Cu	NiCr	Cu	Cu	NiCrSi
Contact Material Negative	CuNi	NiAl	CuNi	CuNi	Alloy #11	Cu	NiSi
IEC Color Code							
Color Body	Black	Green	Brown	Violet	Orange	White	Pink
Part number female jack	CMJ-JIP_	CMJ-KIP_	CMJ-TIP_	CMJ-EIP_	CMJ-RIP_	CMJ-UIP_	CMJ-NIP_
ANSI Color Code							
Color Body	Black	Yellow	Blue	Violet	Green	White	Orange
Part number female jack	CMJ-JAP_	CMJ-KAP_	CMJ-TAP_	CMJ-EAP_	CMJ-RAP_	CMJ-UAP_	CMJ-NAP_
DIN Color Code							
Color Body	Blue	Green	Brown		White		
Part number female jack	CMJ-JDP_	CMJ-KDP_	CMJ-TDP_		CMJ-RDP_		

Hamitherm BV – PO Box 433 – 2100 AK Heemstede – The Netherlands.

Tel. +31 (0)23 547 1283 – Fax +31 (0)23 547 8036 – info@hamitherm.nl - www.hamitherm.nl