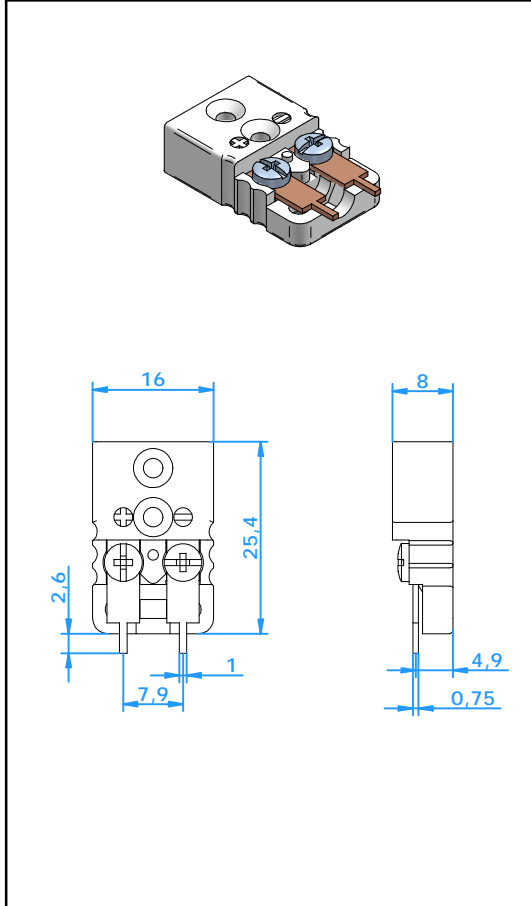




10-03-2010

# Connectors

## Miniature Jack PCB Mounting



### Application

Miniature Jack/Socket for thermocouple and RTD circuits. Designed for direct soldering onto printed circuit boards.

This version is suitable for rear mounting, other versions available, please see separate specification sheet.

### Construction

- Glass filled thermoplastic body with original thermocouple material pins and springloaded inserts.
- Polarized pins ensure proper connection.
- Copper pins for soldering on the PCB
- Rugged one body design.

### Temperature rating

- 200 °C Max.

### Color Code

- Available in all color code standards incl. NFE, BS, JIS, etc.

Ordering Code

CMJ-xxPR

For last two digits 'xx' see table below

Calibration Code	E	J	K	N	T	U	R/S	C	B
Compensation material for Material Positive							Pt13Rh/ Pt	W5Re/ W26Re	Pt6Rh/ Pt30Rh
Material Negative	NiCr CuNi	Fe CuNi	NiCr NiAl	NiCrSi NiSi	Cu CuNi	Cu Cu	Alloy #11	CPX CNX	Cu Cu
IEC Color Code									
Color Body	Violet	Black	Green	Pink	Brown	White	Orange	Red	Grey
Code	EI	JI	KI	NI	TI	UI	RI	C	BI
ANSI Color Code									
Color Body	Violet	Black	Yellow	Orange	Blue	White	Green	Red	Grey
Code	EI	JI	KA	NA	TA	UI	RA	C	BI
DIN Color Code									
Color Body		Blue	Green		Brown		White		Grey
Code		JD	KI		TI		RD		BI



HamiTherm BV - Jade 216 - 3316 LJ Dordrecht - The Netherlands

Tel. +31 (0)78 654 9976 - Fax +31 (0)78 651 4601 - [info@hamitherm.nl](mailto:info@hamitherm.nl) - [www.hamitherm.nl](http://www.hamitherm.nl)

