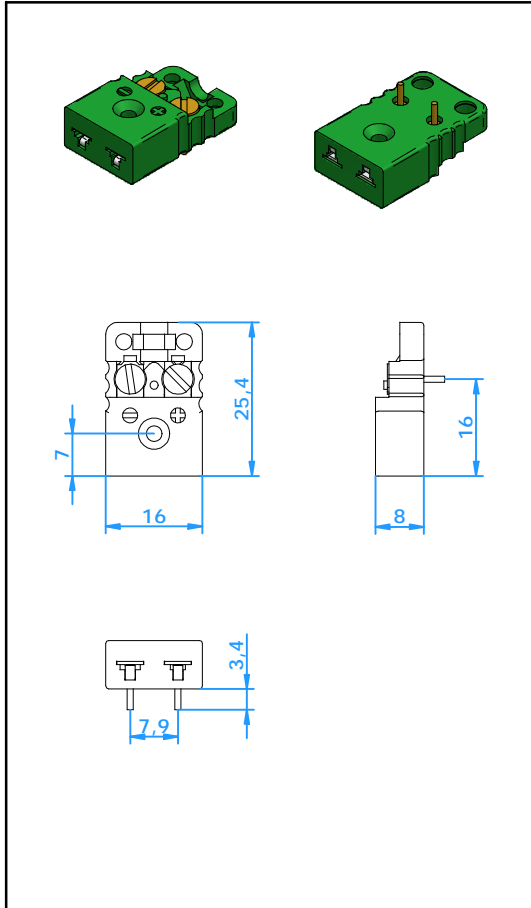




Connectors

Miniature Jack PCB Mounting



Application

Miniature Jack/Socket for thermocouple and RTD circuits. Designed for direct soldering onto printed circuit boards.

This version is suitable for flat mounting, other versions available, please see separate specification sheet.

Construction

- Glass filled thermoplastic body with original thermocouple material pins and springloaded inserts.
- Polarized pins ensure proper connection.
- Brass screws for soldering on the PCB
- Rugged one body design.

Temperature rating

- 200 °C Max.

Color Code

- Available in all color code standards incl. NFE, BS, JIS, etc.

Ordering Code

CMJ-xxPF

For last two digits 'xx' see table below

Calibration Code	E	J	K	N	T	U	R/S	C	B
Compensation material for Material Positive	NiCr	Fe	NiCr	NiCrSi	Cu	Cu	Pt13Rh/ Pt	W5Re/ W26Re	Pt6Rh/ Pt30Rh
Material Negative	CuNi	CuNi	NiAl	NiSi	CuNi	Cu	Cu Alloy #11	CPX CNX	Cu Cu
IEC Color Code									
Color Body	Violet	Black	Green	Pink	Brown	White	Orange	Red	Grey
Code	EI	JJ	KI	NI	TI	UI	RI	C	BI
ANSI Color Code									
Color Body	Violet	Black	Yellow	Orange	Blue	White	Green	Red	Grey
Code	EI	JJ	KA	NA	TA	UI	RA	C	BI
DIN Color Code									
Color Body		Blue	Green		Brown		White		Grey
Code		JD	KI		TI		RD		BI