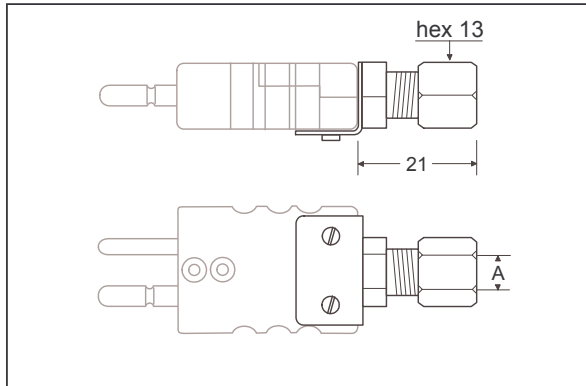


Accessories

Standard Connectors



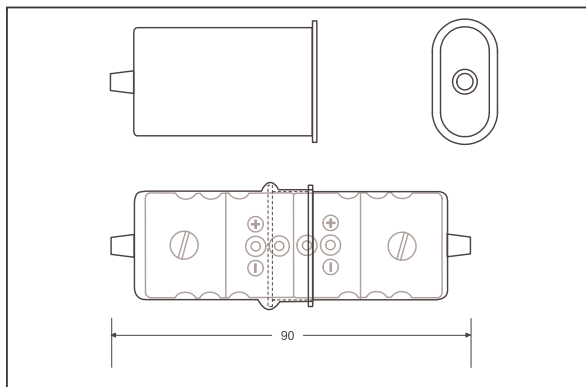
Tube Adapter

Application: Can be used to mount the connector on mineral insulated cable or a tube type thermocouple. Can be used several times if not overtightened.

Construction:

- Brass compression fitting crimped on stainless steel L-bracket.
- Nickel plated.

Part No.:	Dim A
A-20.154-1	1,7
A-20.154-2	3,3
A-20.154-3	4,9
A-20.154-4	6,5



Boot

Application: The two flexible silicone rubber boots will cover the connector set snugly and prevent moisture, water and dirt entering the connectors.

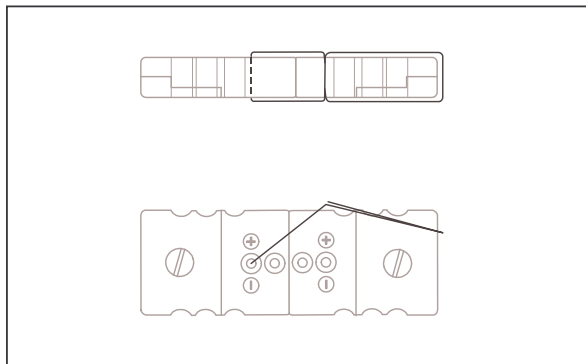
Construction:

- Silicone cover with retention ring to prevent disconnection due to vibration.
- Tapered entrance hole to ensure proper sealing on most cable diameters.

Temperature Rating: 200 °C

Part No.

A-20.061 (for one set order 2 pcs)



01-08-07

Locking-Clip

Application: In order to prevent accidental disconnection a locking clip can be used.

Construction:

- Stainless Steel clip
- Can be placed without any tools

Part No.

A-20.269