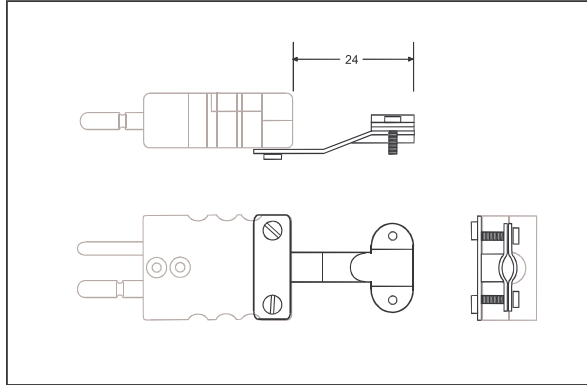


# Accessories

## Standard Connectors

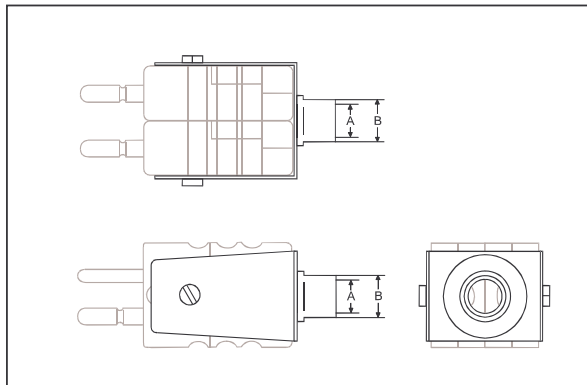


**Wire Clamp Bracket**

**Application:** Wire clampbracket will provide optimum strainrelief. Construction allows a large difference in maximum and minimum wire diameter

**Construction:** All Stainless steel incl. Stainless steel screws.

**Part No.:** A-20.055-1  
 A-20.055-2 for ceramic standard connector  
 A-20.055-5 for duplex standard connector



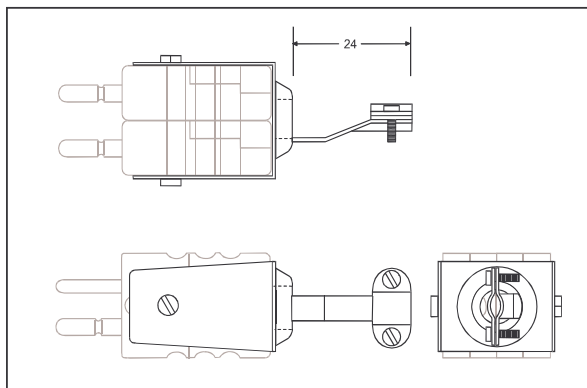
**U Bracket**

**Application:** Allows the use of two connectors to be fitted on duplex mineral cable or duplex wire.

**Construction:**

- Chrome plated carbon steel bracket with plated steel screws
- Is designed to be crimped on the transition piece with an outside diameter of 6 or 8 mm.

Part No.	Dim A	Dim B
A-20.116-1	6,1	7,9
A-20.116-2	8,1	9,9
A-20.116-3	6,5	7,9



**U Bracket**

**Application:** Allows the use of two connectors to be fitted on a duplex wire. Construction provides optimum strainrelief and large difference in minimum and maximum diameter.

**Construction:** All Stainless steel incl. Stainless steel screws.

**Part No.:** A-20.191

01-08-07