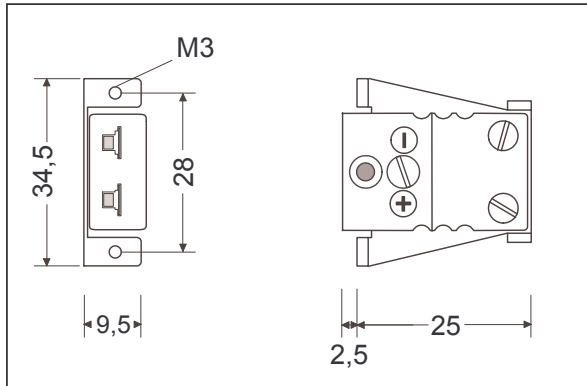


# Panel Accessories



**Panel Bracket Mini**

**Application:** Mounting a mini connector to use as a high temperature panel insert.

**Construction:** RVS Bracket, screws and nuts included.

**Temperature rating:**

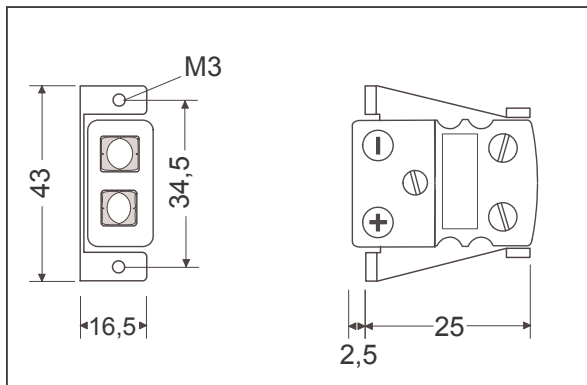
650 Deg. C Max. together with ceramic connector

350 Deg. C Max. together with high temperature connector

**Part No.**

A-20.210 Bracket for ceramic connector

A-20.210-2 Bracket for high temperature connector



**Panel Bracket Standard**

**Application:** Mounting a standard connector to use as a high temperature panel insert.

**Construction:** RVS Bracket, screws and nuts included.

**Temperature rating:**

650 Deg. C Max. together with ceramic connector

350 Deg. C Max. together with high temperature connector

**Part No.**

A-20.209 Bracket for ceramic connector

A-20.209-2 Bracket for high temperature connector



**Application:** Mounting-set for fixing a maximum of six standard panel inserts to a customised panel.

**Construction:** 110 mm long rod with screws and panel blocks.

**Part No.**

A-20.248

01-08-07