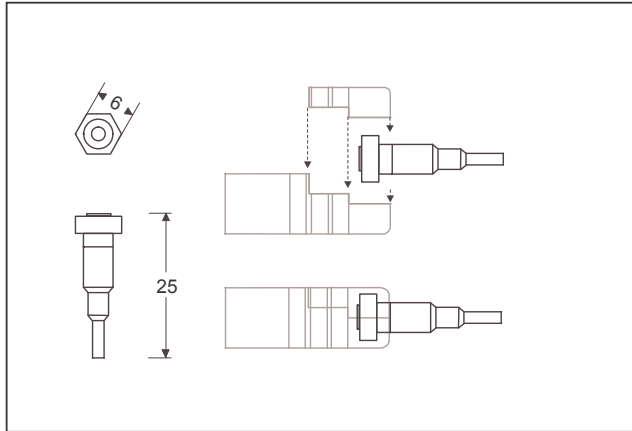


Accessories

Miniature Connectors



Application: Bending protection for thermocouples and wire being used with mini-connectors

Construction: Rubber insert

Temperature Rating: 90 Degr. C max.

Part No.: A-20.293

01-08-07

Entrance Fitting