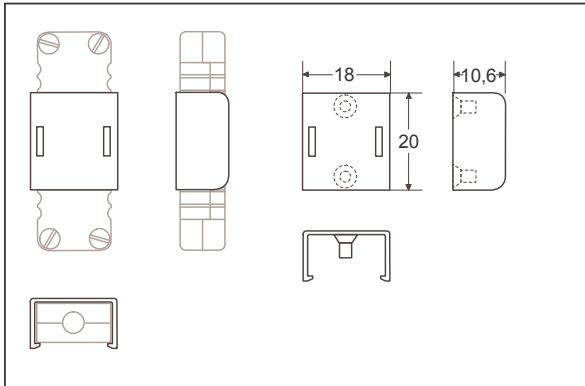


# Accessories

## Miniature Connectors



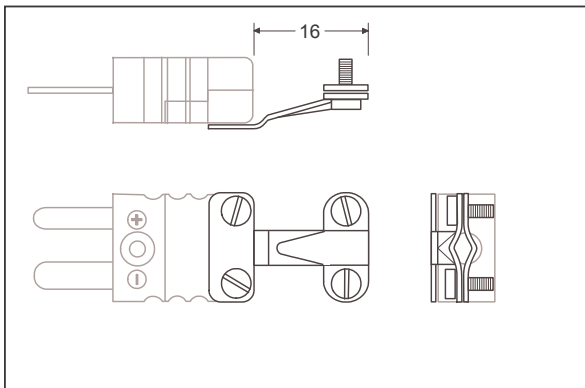
**Locking Plate**

**Application:** Miniature connectors donot have a retention groove. In order to prevent accidental disconnection a locking plate can be used

**Construction:**

- Glass filled thermoplastic with the same temperature rating as the connector body
- Red color indicates clearly what circuits are protected
- Can be placed and removed without any tools.

**Part No.:** A-20.096



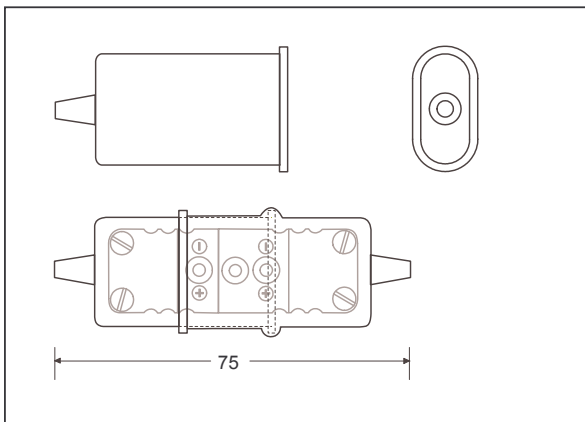
**Wire Clamp Bracket**

**Application:** Wire clampbracket will provide optimum strainrelief. Construction allows a large difference in maximum and minimum wire diameter.

**Construction:**

- All Stainless steel incl stainless steel screws.

**Part No.:** A-20.050-1  
 A-20.050-2 for ceramic miniature connector  
 A-20.050-3 for duplex miniature connector



**Boot**

**Application:** The two flexible silicone rubber boots will cover the connector set snugly and prevent moisture, water and dirt entering the connector.

**Temperature Rating:** 200 °C

**Construction:**

- Silicone cover with retention ring prevent disconnection due to vibration.
- Tapered entrance hole to ensure proper sealing on the most cable diameters.

**Part No.:** A-20.030-1 (for one set order 2 pcs)

01-08-07