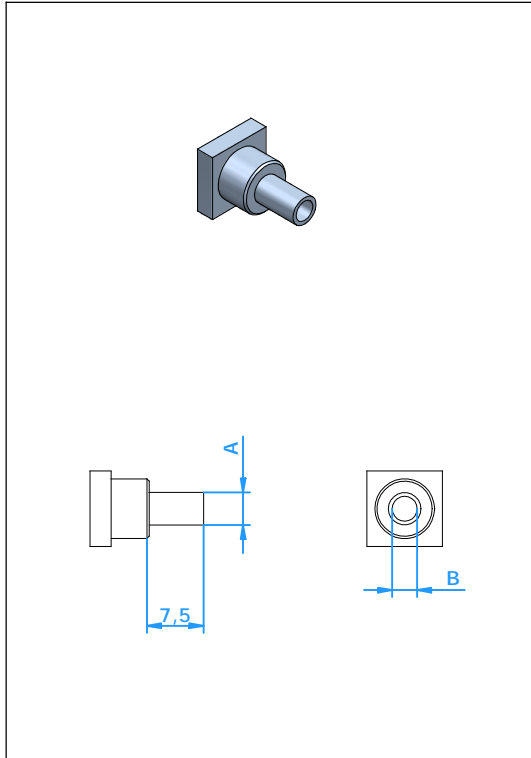




Accessories

Standard Connector Braze/Crimp adapter



Application

Adapter can be fitted in the entrance hole of the connector to braze/crimp in mineral isolated cable.

Construction

Stainless steel adapter, AISI-303 / DIN-1.4305

The adapter fits in all standard connectors.

Partnr.	A	B
20332-1	2,40 mm	1,10 mm
20332-2	2,40 mm	1,60 mm
20332-3	2,40 mm	1,70 mm
20332-4	3,20 mm	2,10 mm
20332-5	3,20 mm	2,40 mm
20332-6	4,30 mm	3,10 mm
20332-7	4,30 mm	3,30 mm
20332-8	6,00 mm	4,60 mm
20332-9	6,00 mm	4,90 mm
20332-10	7,90 mm	6,10 mm
20332-11	7,90 mm	6,50 mm
20332-14	7,90 mm	7,00 mm