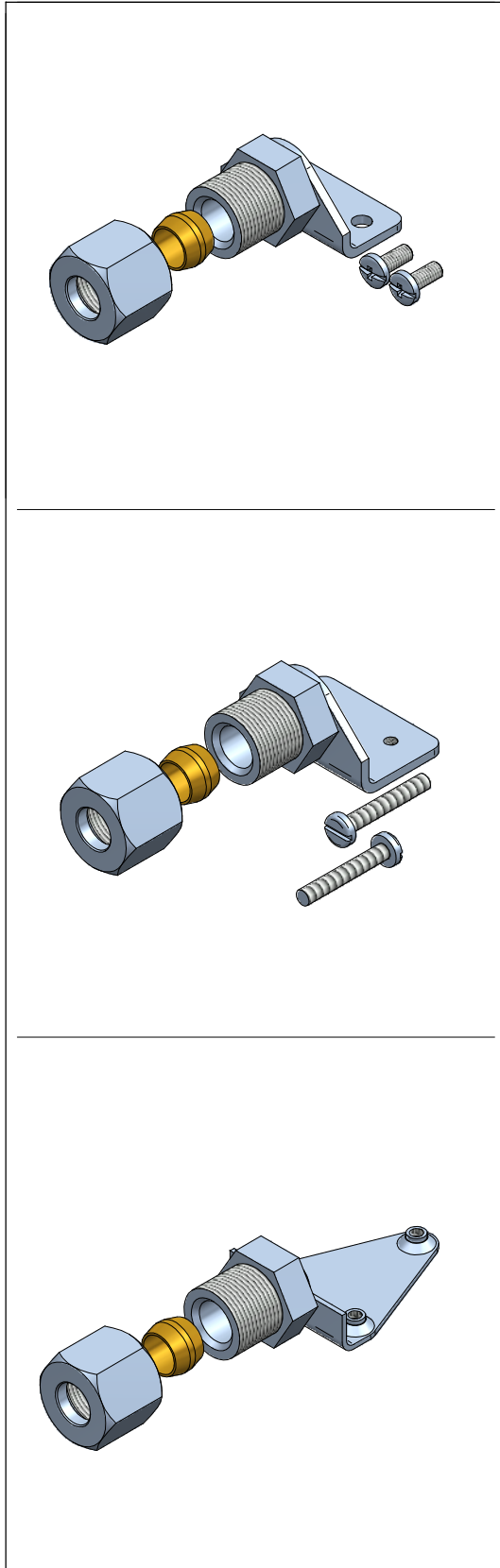




Accessories

Standard Connector Tube Adapter



Application

Can be used to mount the connector on mineral insulated cable or a tube type thermocouple. Can be used several times if not overtightened.

Construction

Stainless steel compression fitting with a brass ferrule on stainless steel bracket

Standard Connector

Part Nr.	Diameter	Wrench size
20.154-1	1,7 mm – 1/16"	Hex 10 mm
20.154-2	3,3 mm – 1/8"	Hex 10 mm
20.154-3	4,9 mm – 3/16"	Hex 13 mm
20.154-4	6,5 mm – 1/4"	Hex 13 mm
20.154-5	8,1 mm - 5/16"	Hex 16 mm
20.154-6	6,0 mm	Hex 13 mm
20.154-7	9,5 mm – 3/8"	Hex 16 mm

This tube adapter fits on all connectors CSP(L), CSJ, CSPH(L), CSJH, CSPQ(L), CSJQ, CSPT(L) and CSJT.

Standard Connector Ceramic

Part Nr.	Diameter	Wrech size
20.344-1	1,7 mm – 1/16"	Hex 10 mm
20.344-2	3,3 mm – 1/8"	Hex 10 mm
20.344-3	4,9 mm – 3/16"	Hex 13 mm
20.344-4	6,5 mm – 1/4"	Hex 13 mm
20.344-5	8,1 mm - 5/16"	Hex 16 mm
20.344-6	6,0 mm	Hex 13 mm
20.344-7	9,5 mm – 3/8"	Hex 16 mm

This tube adapter fits on all connectors CSPC(L), CSJC, CSPCQ(L), CSJCQ.

Standard Connector Ultra High Temp

Part Nr.	Diameter	Wrech size
20.345-1	1,7 mm – 1/16"	Hex 10 mm
20.345-2	3,3 mm – 1/8"	Hex 10 mm
20.345-3	4,9 mm – 3/16"	Hex 13 mm
20.345-4	6,5 mm – 1/4"	Hex 13 mm
20.345-5	8,1 mm - 5/16"	Hex 16 mm
20.345-6	6,0 mm	Hex 13 mm
20.345-7	9,5 mm – 3/8"	Hex 16 mm

This tube adapter fits on all connectors CSPU(L), CSJU.