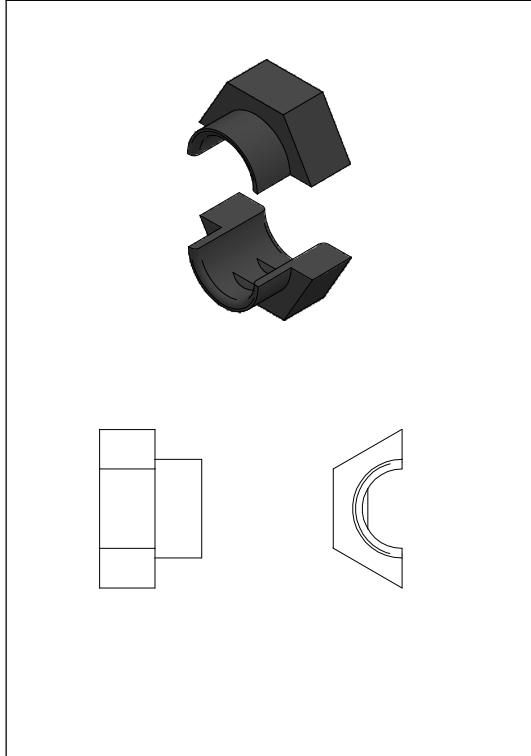




10-03-2010

Accessories

Miniature Connector Wire Insert



Application

A set wire inserts fitted in the entrance hole of the connector will provide a very good strain relief without any protruding parts from the connector.

Construction

Thermoplastic material with a round or oval hole to fit around a specific wire.

Part Nr .	Round/Oval	Wire
20.075-1	Round	1,5 mm
20.075-5	Round	3,5 mm
20.075-24	Oval	2,0 x 1,5 mm