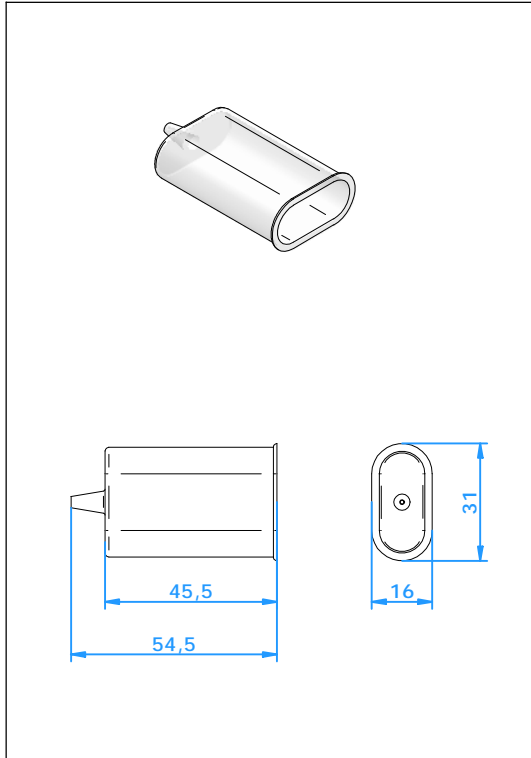




10-03-2010

Accessories

Standard Connector Protection Boot



Application

The two flexible silicone rubber boots will cover the connector set snugly and prevent moisture, water and dirt entering the connector.

Temperature Rating

- 200 °C

Construction

- Silicone cover with retention ring prevent disconnection due to vibration.
- Tapered entrance hole to ensure proper sealing on most cable diameters.

Part Nr. 20.061 (for one set order 2 pcs)