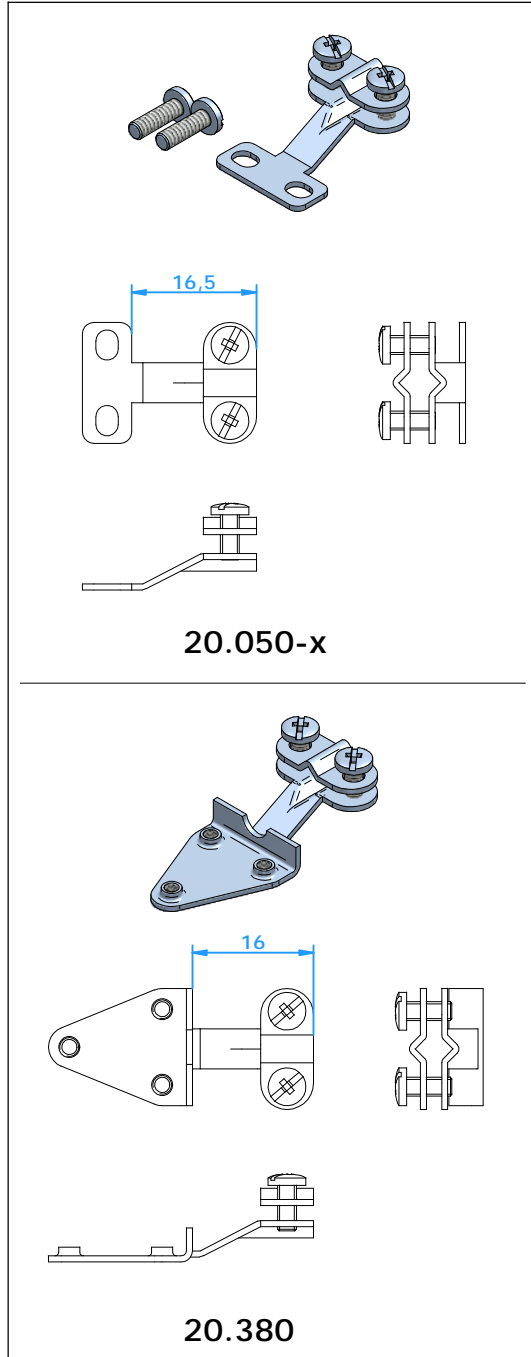




10-03-2010

Accessories

Miniature Connector Wire Clamp Bracket



Application

Wire clamp bracket will provide optimum strain relief.
Construction allows a large difference in maximum and minimum wire diameter.

Construction

All stainless steel, incl stainless steel screws

Part Nr.

- 20.050-1 **miniature connector**
fits on all connectors CMP, CMJ, CMPH, CMJH, CMPT and CMJT
- 20.050-2 **miniature connector ceramic**
fits on all connectors CMPC, CMJC
- 20.050-3 **miniature connector duplex**
fits on all connectors CMPD, CMJD

- 20.380 **miniature connector ultra high temp**
fits on all connectors CMPU, CMJU