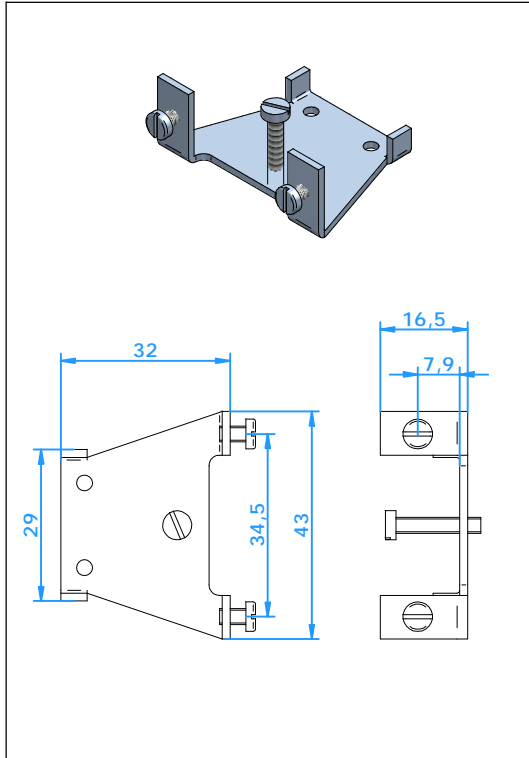




# Accessories Panels

## Standard Connector Panel Bracket



### Application

Mounting a standard connector to use as a high temperature panel insert.

### Construction

- RVS Bracket, screws included.

### Temperature rating

650 °C Max. together with ceramic connector  
 350 °C Max. together with high temperature connector  
 200 °C Max. together with standard connector

### Part Nr.

20.209 Bracket for ceramic connector  
 20.306 Bracket for standard/high temp connector