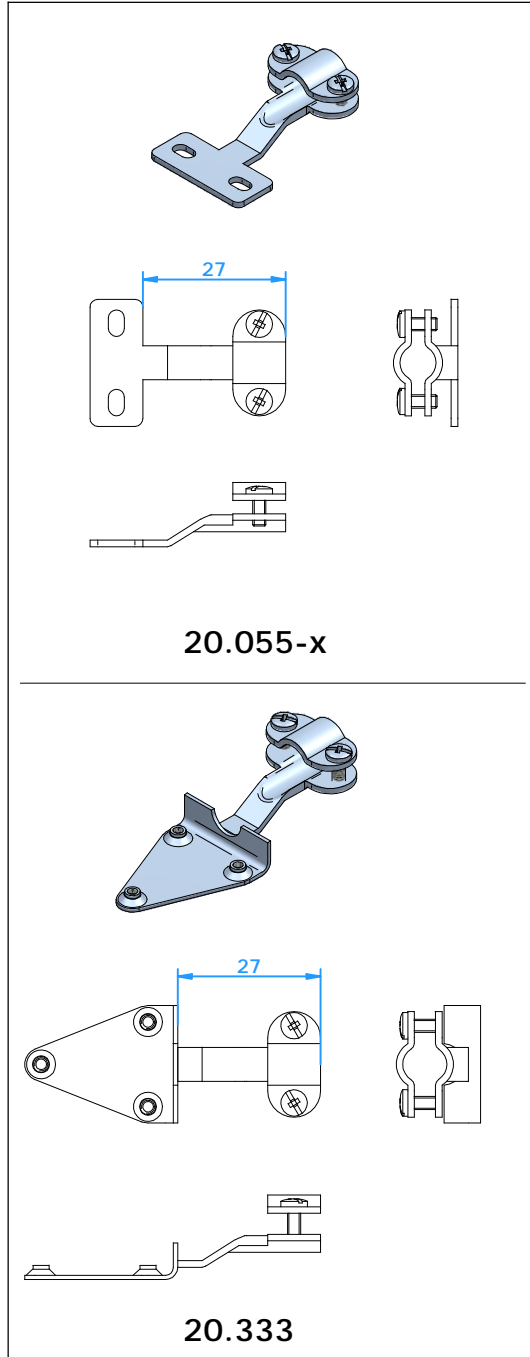




# Accessories

## Standard Connector Wire Clamp Bracket



### Application

Wire clamp bracket will provide optimum strain relief.  
Construction allows a large difference in maximum and minimum wire diameter.

### Construction

All stainless steel, incl stainless steel screws

### Part Nr.

- |          |  |
|----------|--|
| 20.055-1 | standard connector<br>fits on all connectors CSP(L), CSJ, CSPH(L), CSJH, CSPQ(L), CSJQ, CSPT(L) and CSJT |
| 20.055-2 | standard connector ceramic<br>fits on all connectors CSPC(L), CSJC                                       |
| 20.055-5 | standard connector duplex<br>fits on all connectors CSPD(L), CSJD  |
| 20.333   | standard connector ultra high temp<br>fits on all connectors CSPU(L), CSJU                               |