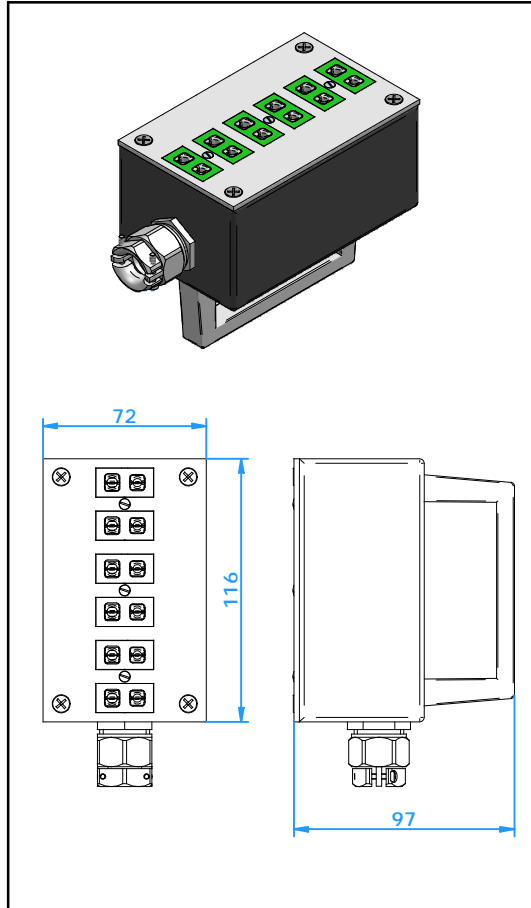




Connectors

Multiple Jack Standard



Application

Multiple jack for thermocouple and RTD circuits. Suitable for connecting up to 6 standard circuits simultaneously.

Construction

- Rugged steel epoxy painted housing.
- Anodized aluminium handle for easy grip.
- Available in 1 thru 6 circuits version.
- Incorporates a Hamitherm standard vertical panel PASV-

Wire size

- Accepts wires from up to 3,0 mm.
- Entrance fitting PG 13 will allow cable diameters up to 15 mm.

Temperature rating

- 200 °C Max.

Color Code

- Calibration is indicated by color coding of panel inserts.
- Available in all color code standards.

Ordering Code : **MJS-y-xx** y is number of circuits (1, 2, 3, 4, 5, or 6)
for last two digits 'xx' see table below

Calibration Code	E	J	K	N	T	U	R/S	C	B
Compensation material for Material Positive	NiCr	Fe	NiCr	NiCrSi	Cu	Cu	Pt13Rh/ Pt	W5Re/ W26Re	Pt6Rh/ Pt30Rh
Material Negative	CuNi	CuNi	NiAl	NiSi	CuNi	Cu	Cu Alloy #11	CPX CNX	Cu Cu
IEC Color Code									
Color dot	Violet	Black	Green	Pink	Brown	White	Orange	Red	Grey
Code	EI	JI	KI	NI	TI	UI	RI	C	BI
ANSI Color Code									
Color dot	Violet	Black	Yellow	Orange	Blue	White	Green	Red	Grey
Code	EI	JI	KA	NA	TA	UI	RA	C	BI
DIN Color Code									
Color dot		Blue	Green		Brown		White		Grey
Code		JD	KI		TI		RD		BI