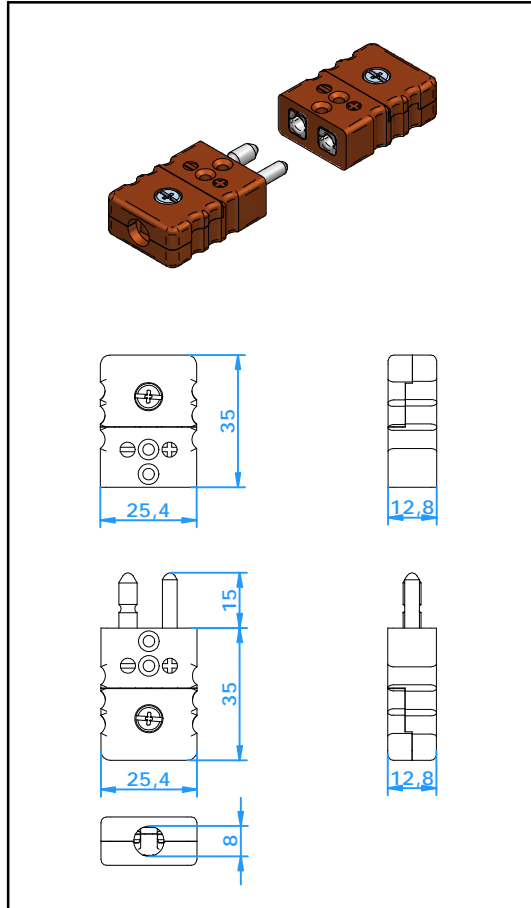




# Connectors

## Connector Standard High Temperature



### Application

Connector for thermocouple and RTD circuits. Solid pin design ensures good contact even in demanding applications. Thermoset material designed for use at high temperatures. Hollow pin design offers a good quality product at competitive pricing for less frequently used connectors.

### Construction

- body of thermoset material with original thermocouple material pins and springloaded inserts.
- Polarized pins ensure proper connection.
- Easy wire connection through sandwich construction.
- Molded barriers prevent short circuit.
- Rugged one body design.

### Wire size

- Accepts wires up to 2,0 mm.
- Maximum cable diameter 8,0 mm.

### Temperature rating

- 350 °C maximum

### Color Code

- Color of the connector-body is brown, calibration indication printed on body

### Accessories:

- Stainless steel braze/crimp adaptors, tube adaptors, wire clamp bracket and U-Brackets are available, please see separate specification sheets or consult factory

Ordering Code Plug Solid Pin : CSPH-x      x = Calibration Code (See table below)  
 Plug Hollow Pin: CSPHL-x  
 Jack : CSJH-x

Calibration Code	E	J	K	N	T	U	R/S	C	B
Compensation material for							Pt13Rh/ Pt	W5Re/ W26Re	Pt6Rh/ Pt30Rh
Material Positive	NiCr	Fe	NiCr	NiCrSi	Cu	Cu	Cu	CPX	Cu
Material Negative	CuNi	CuNi	NiAl	NiSi	CuNi	Cu	Alloy #11	CNX	Cu

Note: - Contacts with a hard nickel- or gold-plating are available, please add "NP" or "GP" after the calibration code  
 - Type C connector plug is only available in a hollow pin version