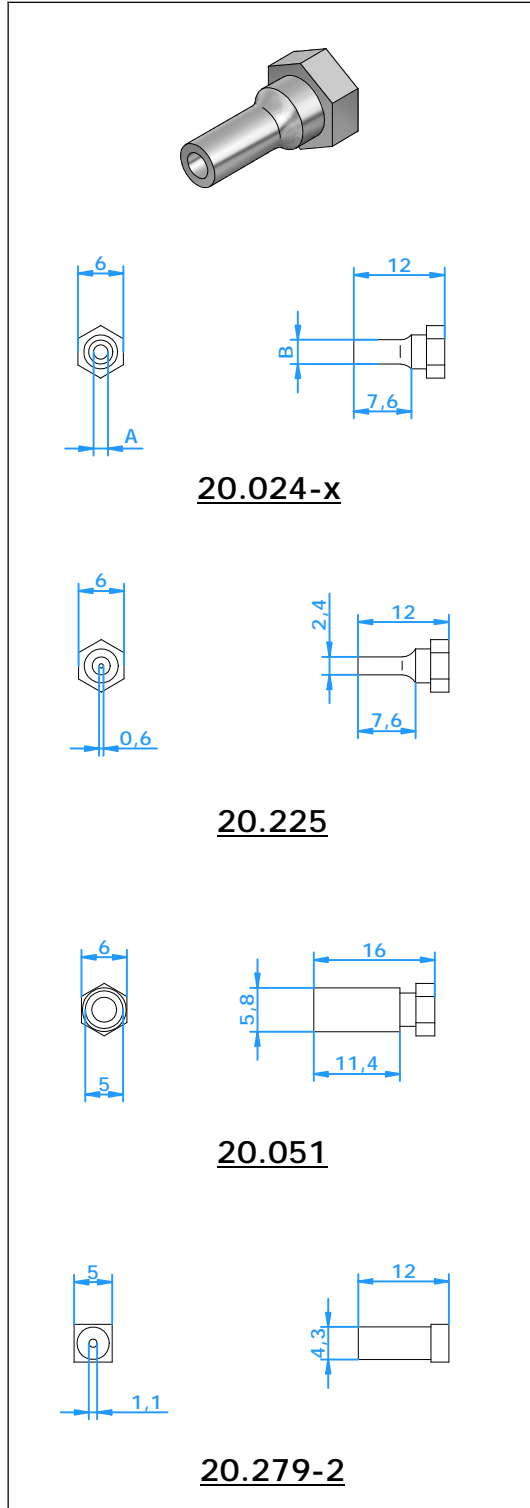




Accessories

Miniature Connector Crimp-insert



Application

Designed for soldering or crimping on mineral insulated cable or crimping on insulated wire.

Construction

Brass machined, nickel plated insert with 0,1 mm tolerance on the cable OD

Part Nr.	A	B
20.024-1	1,10 mm	2,40 mm
20.024-2	1,60 mm	2,40 mm
20.024-3	1,70 mm	2,40 mm
20.024-4	2,10 mm	3,20 mm
20.024-5	2,40 mm	3,20 mm
20.024-6	3,10 mm	4,50 mm
20.024-7	3,30 mm	4,50 mm
20.024-8		4,50 mm
20.024-9	3,90 mm	4,50 mm
20.024-10	2,80 mm	4,50 mm
20.024-11	2,70 mm	4,50 mm
20.024-12	1,90 mm	3,20 mm
20.024-13	3,50 mm	4,50 mm
20.024-14	0,90 mm	2,40 mm
20.024-15	3,80 mm	4,50 mm

Part Nr.	A	B
20.225	0,6 mm	2,4 mm
20.051	5,0 mm	5,8 mm
20.279-2	1,1 mm	4,3 mm

Note: 20.279-2 is for mini ceramic connectors only